



A vertical column of horizontal lines on the left side of the page. It consists of a thick line, followed by 12 regular lines, and ends with another thick line.

A vertical column of horizontal lines on the right side of the page. It consists of 6 thick lines at the top, 20 regular lines in the middle, and 4 thick lines at the bottom.

Orama Installation Manual

Edition

V. 1.0 / 05 · 2019

Technical drawings

Orama R & D

Design

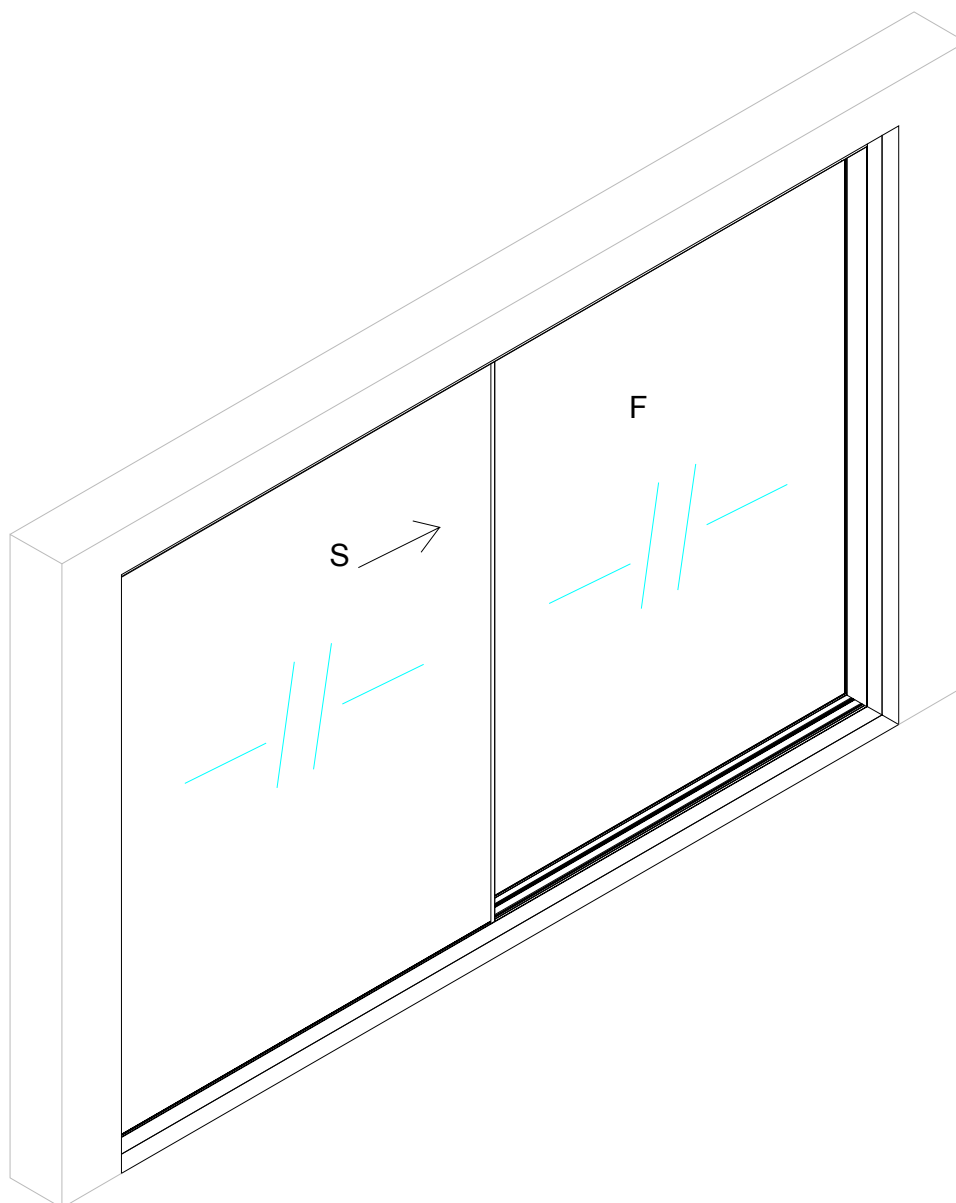
Roleplay / roleplay.gr

The logo consists of five stylized, geometric shapes that resemble the letters 'O', 'R', 'A', 'M', and 'A' in a modern, minimalist font. Each letter is composed of thin black lines forming a square or rectangular shape with some internal lines to define the letter's structure.
MINIMAL FRAMES

INSTALLATION MANUAL

**In order to install a new ORAMA minimal
frame please follow instructions***

*Orama Minimal Frames offer systems with several combinations of sliding and fixed frames. In this manual a basic configuration is described. Install different configurations respectively. Also refer to the Annexes for special constructions.



for FS system (Omicron/Omega/Invisible)



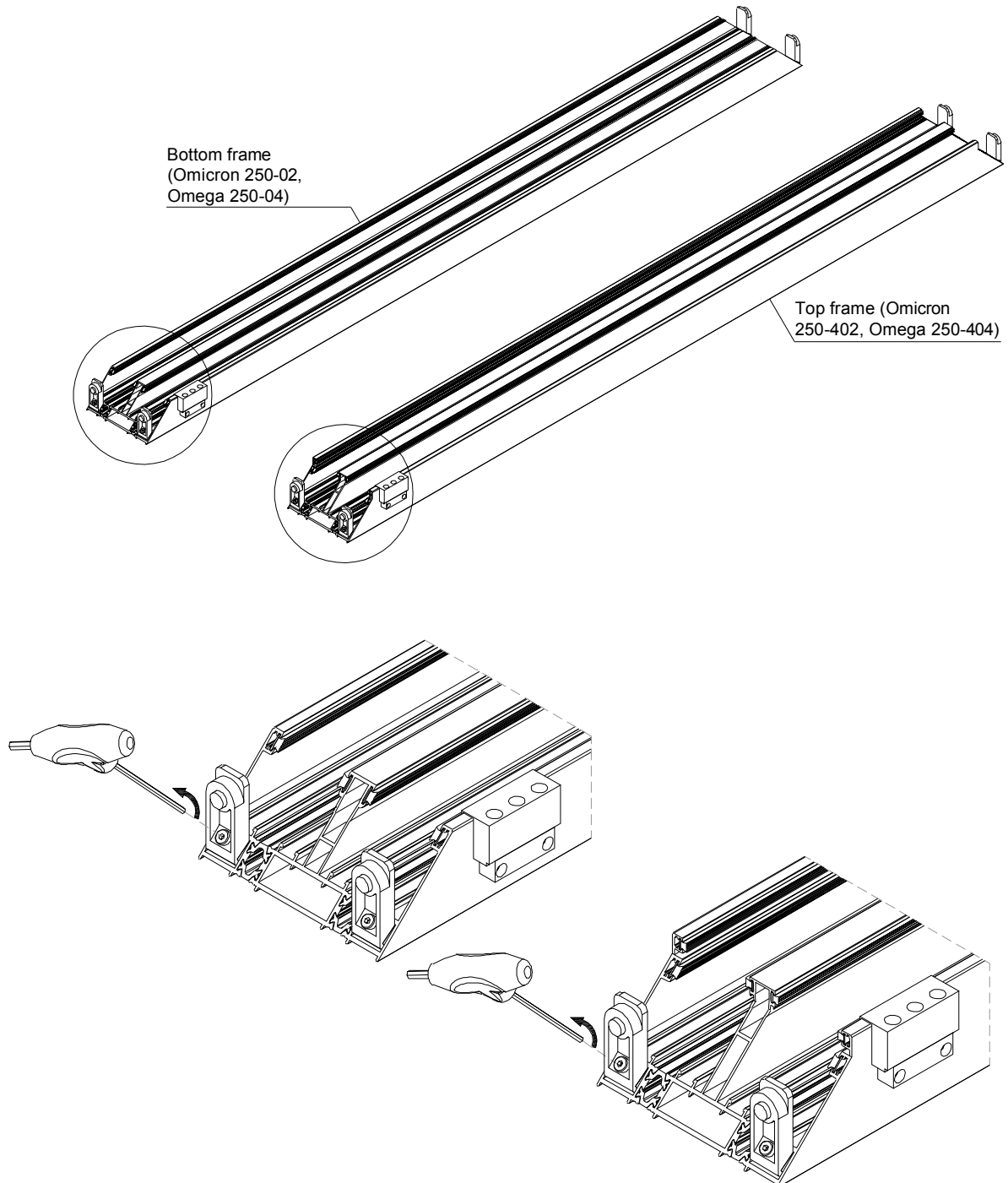
ATTENTION: Handle and stack all frame parts carefully on site.
Adequately support the frame parts until fully installed.

Inspect rough opening before installation. Verify that the opening is level and vertical/plumb

Step 1. Top and bottom frame

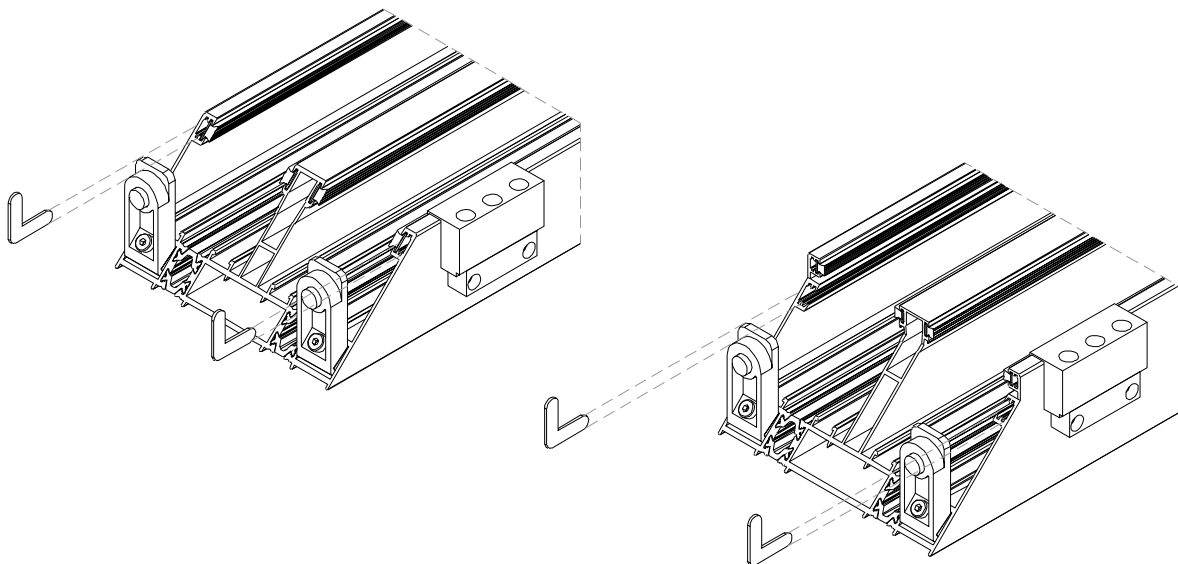
Loosen the screws of every joint corner connection. Use allen key No 4.
There are 2 joint corner connections at each corner of the frame.

Remove inox rails (250-008) from the bottom track.

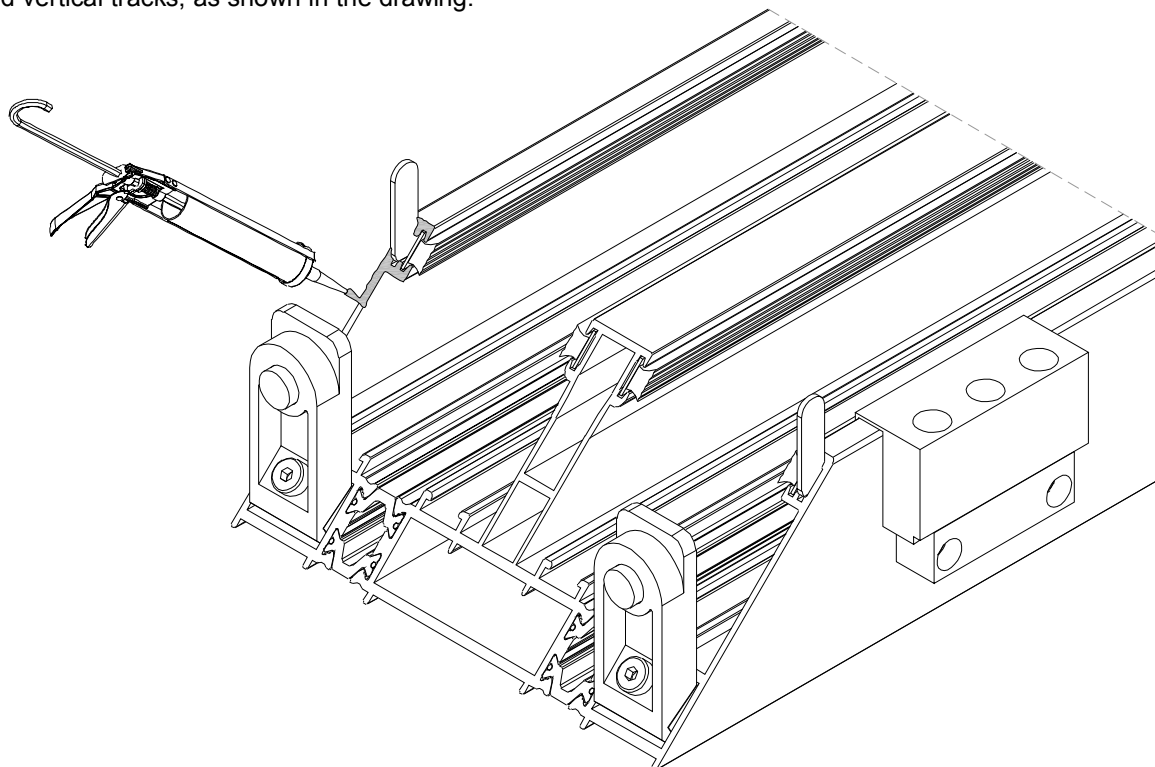


Step 2. INOX alignment corner

Insert the INOX alignment corner in top and bottom frame profiles, as shown below. Use 2 pieces at each corner of frame.

**Step 3. Connecting the frame parts**

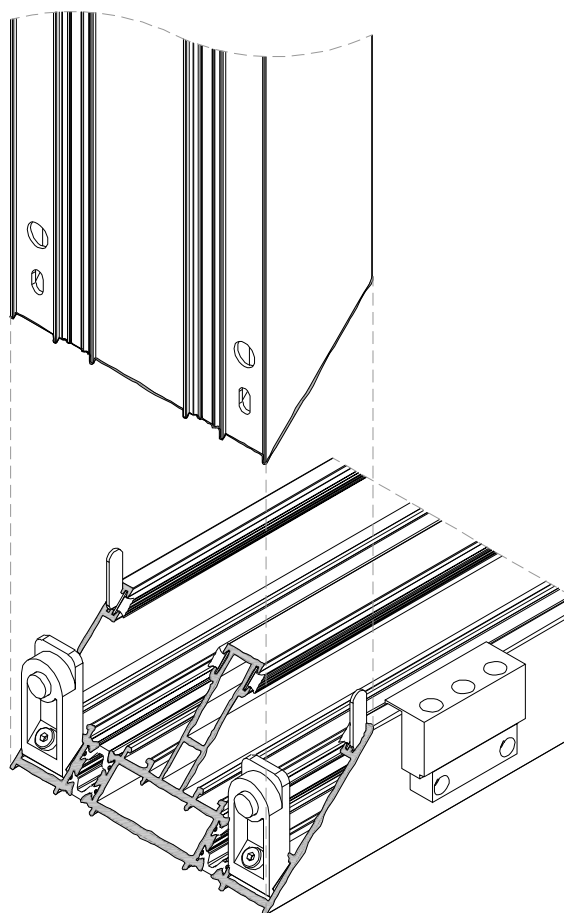
Apply a sealing compound glue on the edge of the bottom and vertical tracks, as shown in the drawing.



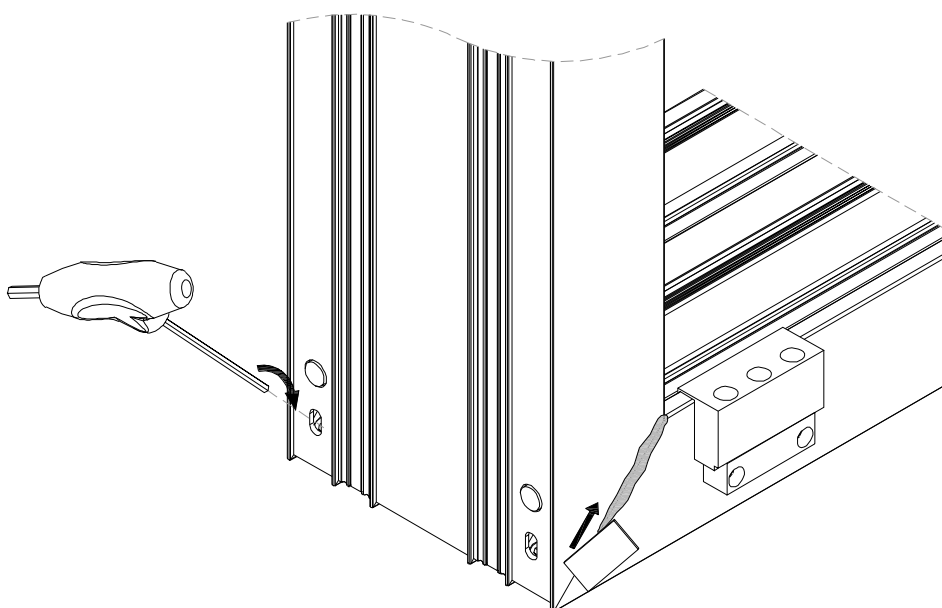


ATTENTION: Adequately support the frame parts during assemblage. Connect frame in an horizontal position.

Connect the bottom frame with vertical frames, as a shown in the draw.

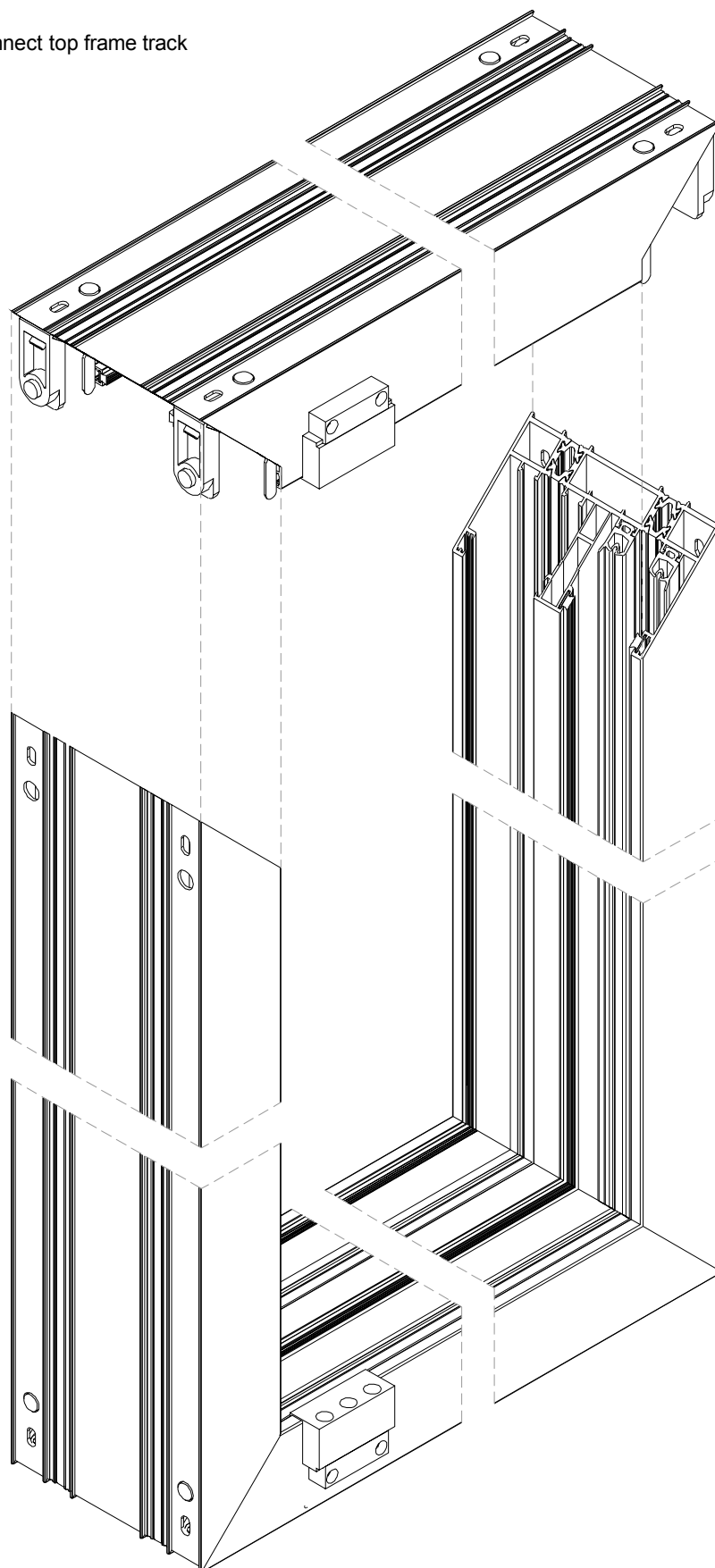


Tie up the screws that wcoere loosen in step1.
Clean up the silicone from the profile surface.



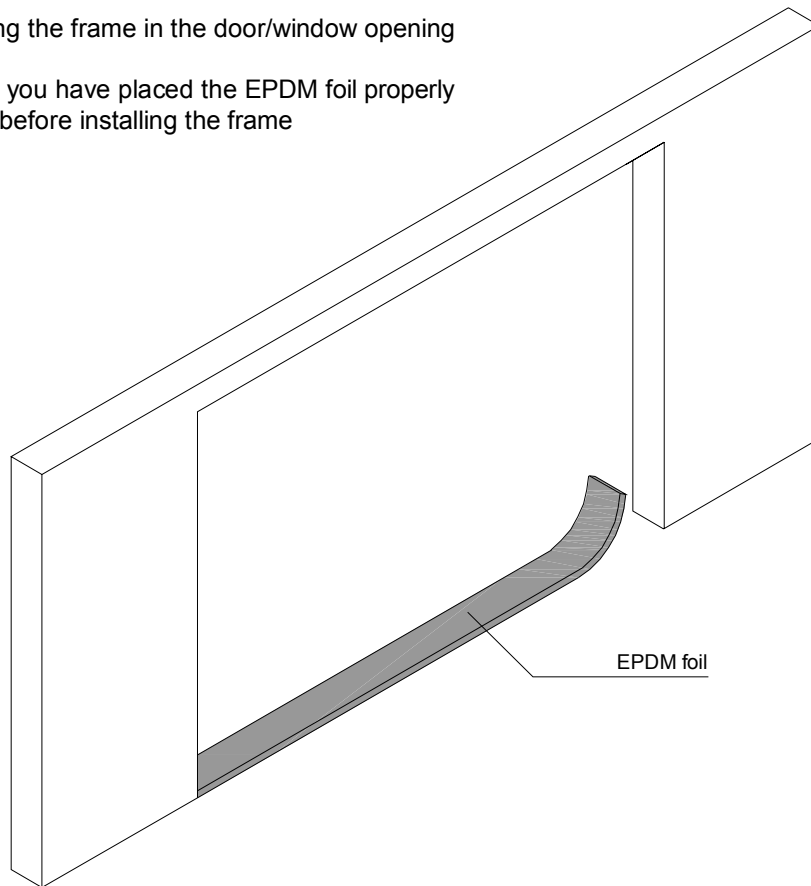
Step 4. Connecting the top frame track

Repeat step 3 to connect top frame track with vertical frames



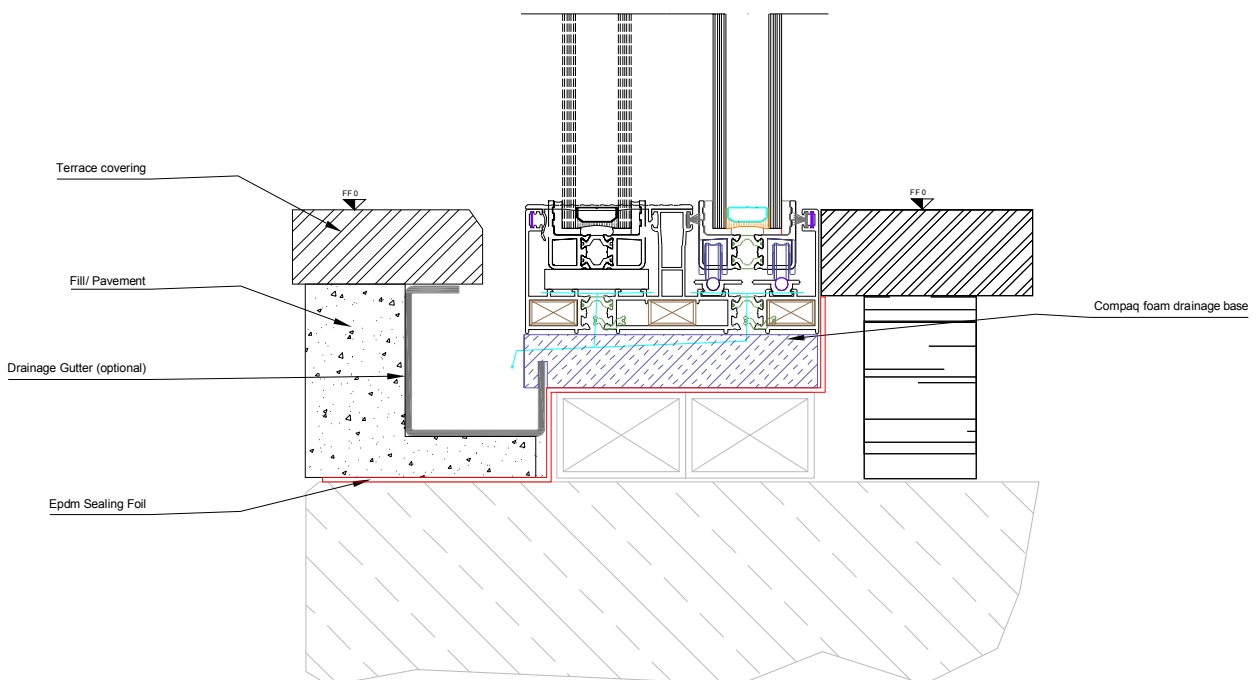
Step 5. Installing the frame in the door/window opening

Make sure that you have placed the EPDM foil properly at the opening before installing the frame



EPDM foil should start from a high point of the frame at the inner side and end at the lower point of the outer side. Seal the EPDM foil with a proper adhesive sealant.

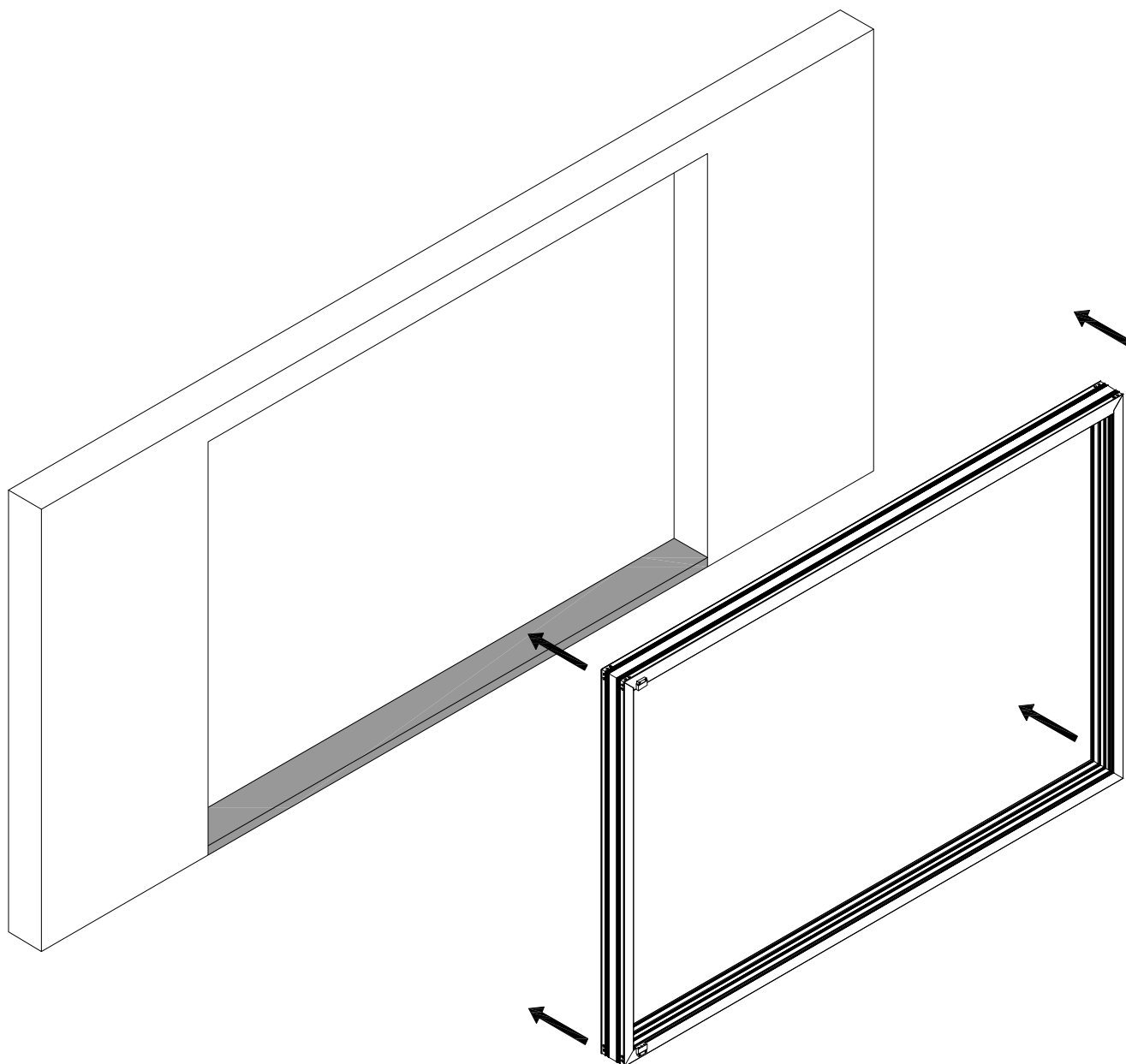
Other appropriate membrane systems might be used.

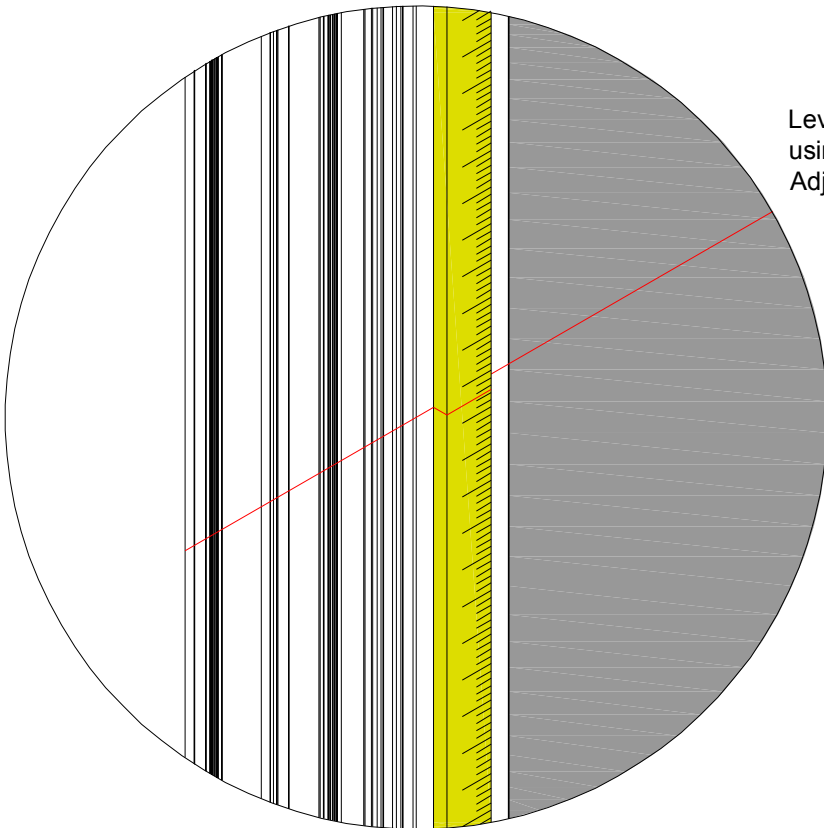
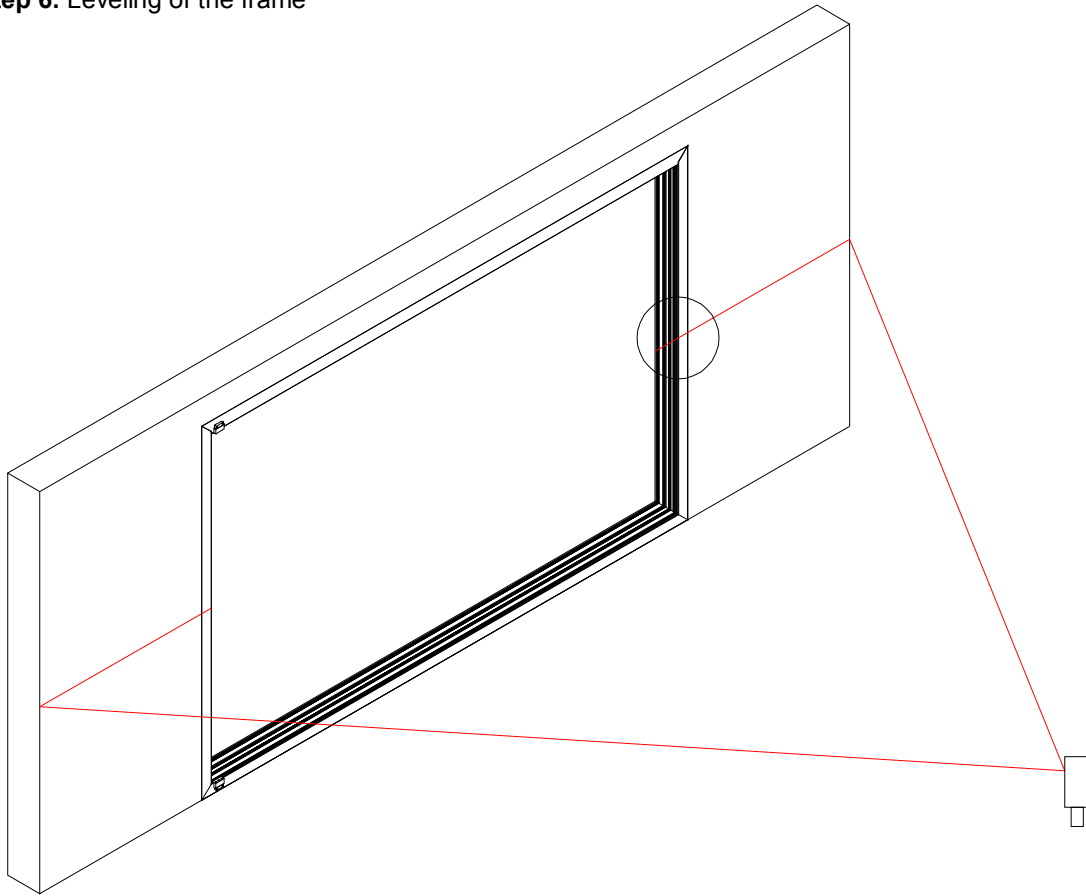


Step 5. Installing the frame in the door/window opening

Install the frame.

Warning! Handle frame carefully until fully installed.

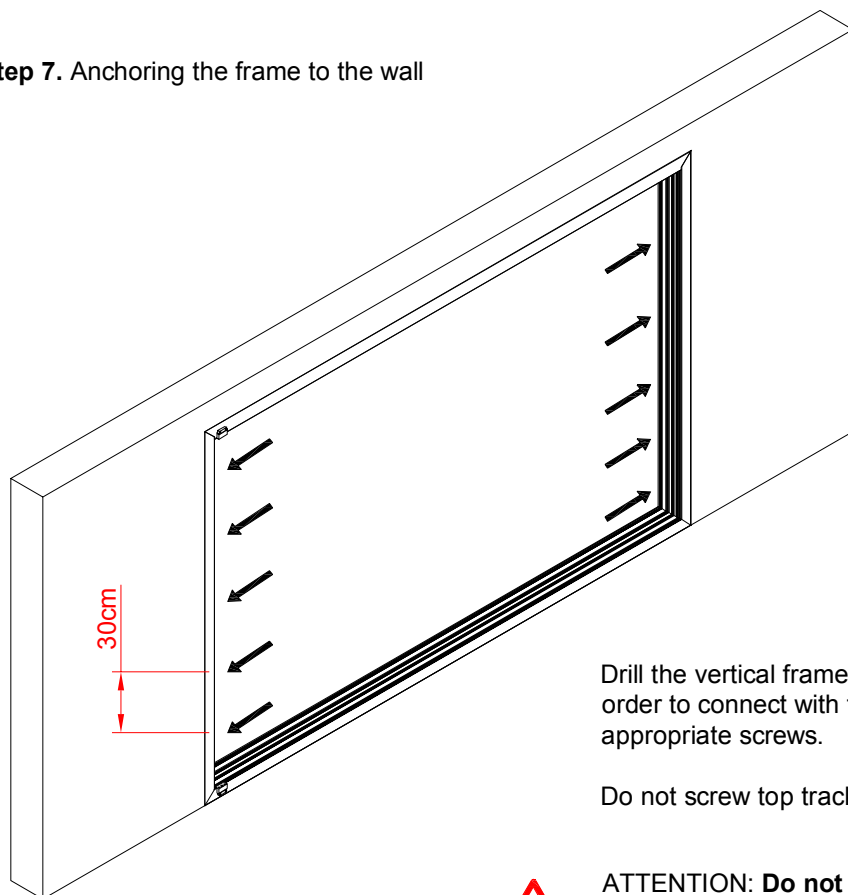


Step 6. Leveling of the frame

Level the frame horizontally and vertically, using a laser leveler. Use spacers if it is required. Adjust in order to avoid bucking and distortion.

Install wedges between the frame and the building opening to prevent opening of the frame joints when screwing is carried out.

To ensure the satisfactory long term performance of sliding doors, the sill should be fully supported during installation and during the use of the window.

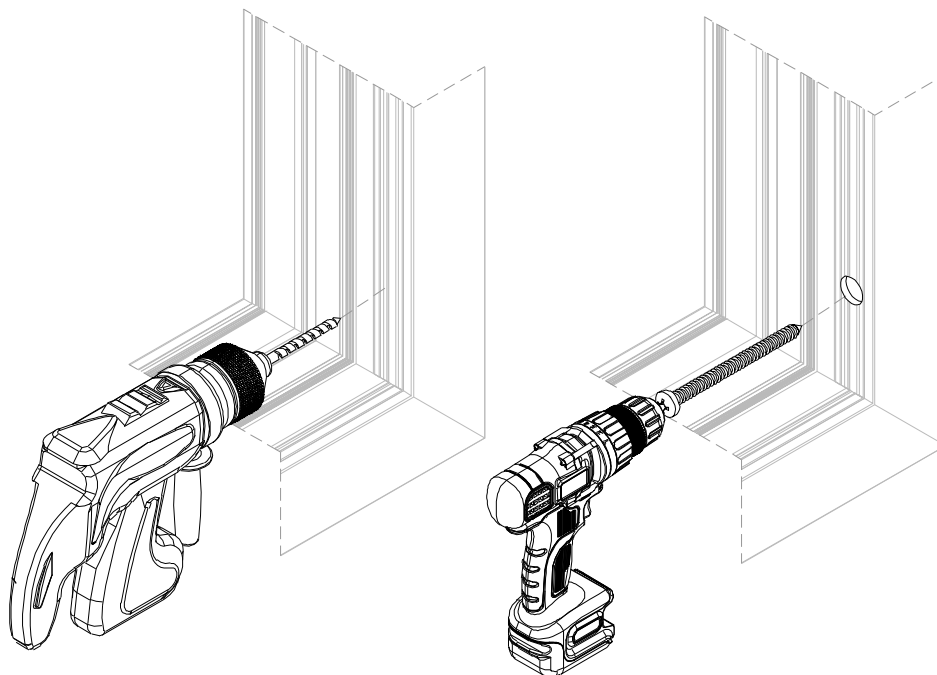
Step 7. Anchoring the frame to the wall

Drill the vertical frame track in 30cm intervals. Screw in order to connect with the substructure, using the appropriate screws.

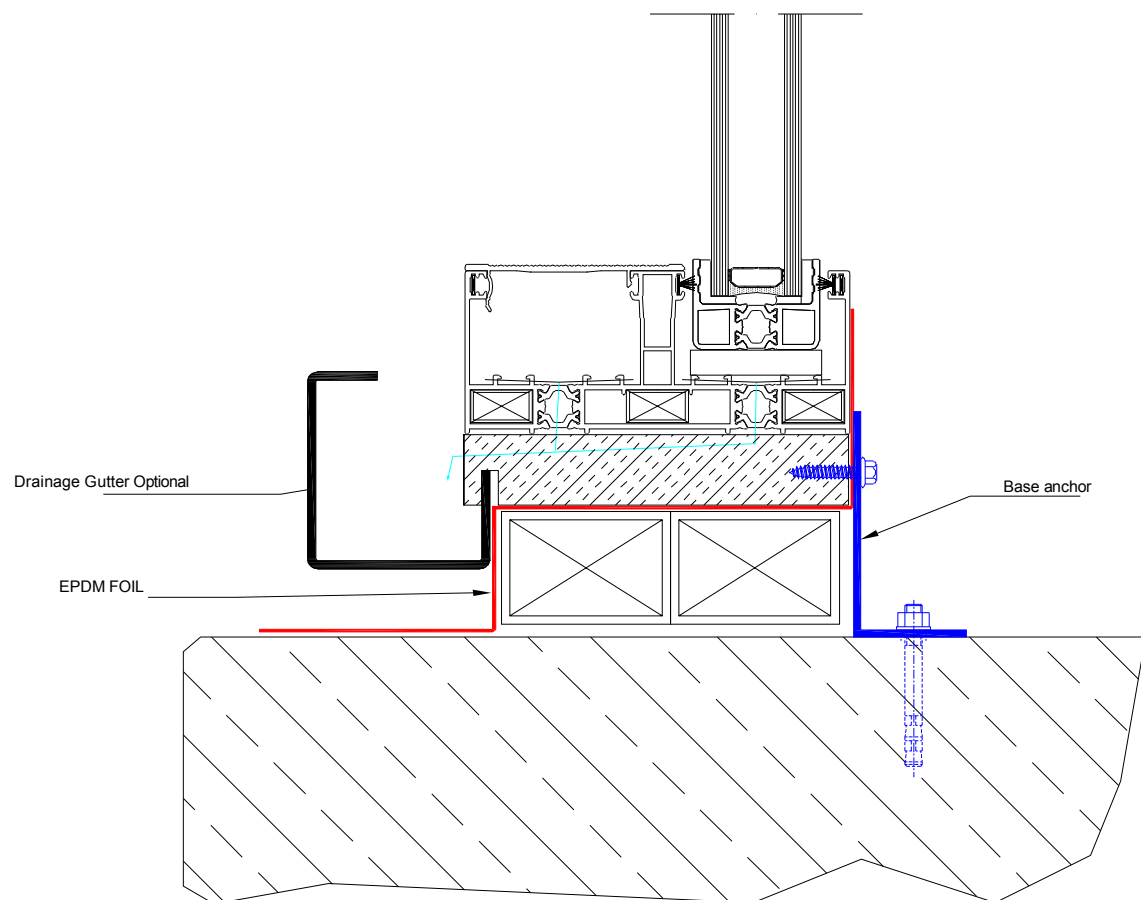
Do not screw top track during this step. See **step 17**.

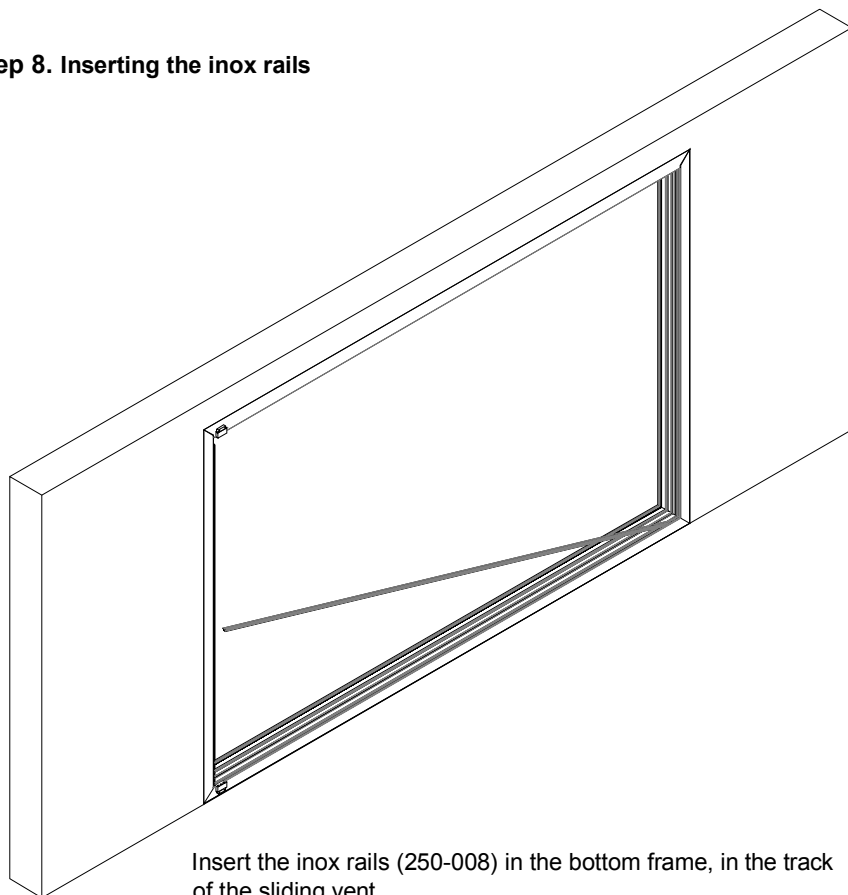


ATTENTION: Do not drill the bottom track to avoid water penetration. You can secure the base using corner connections (see detail next page).



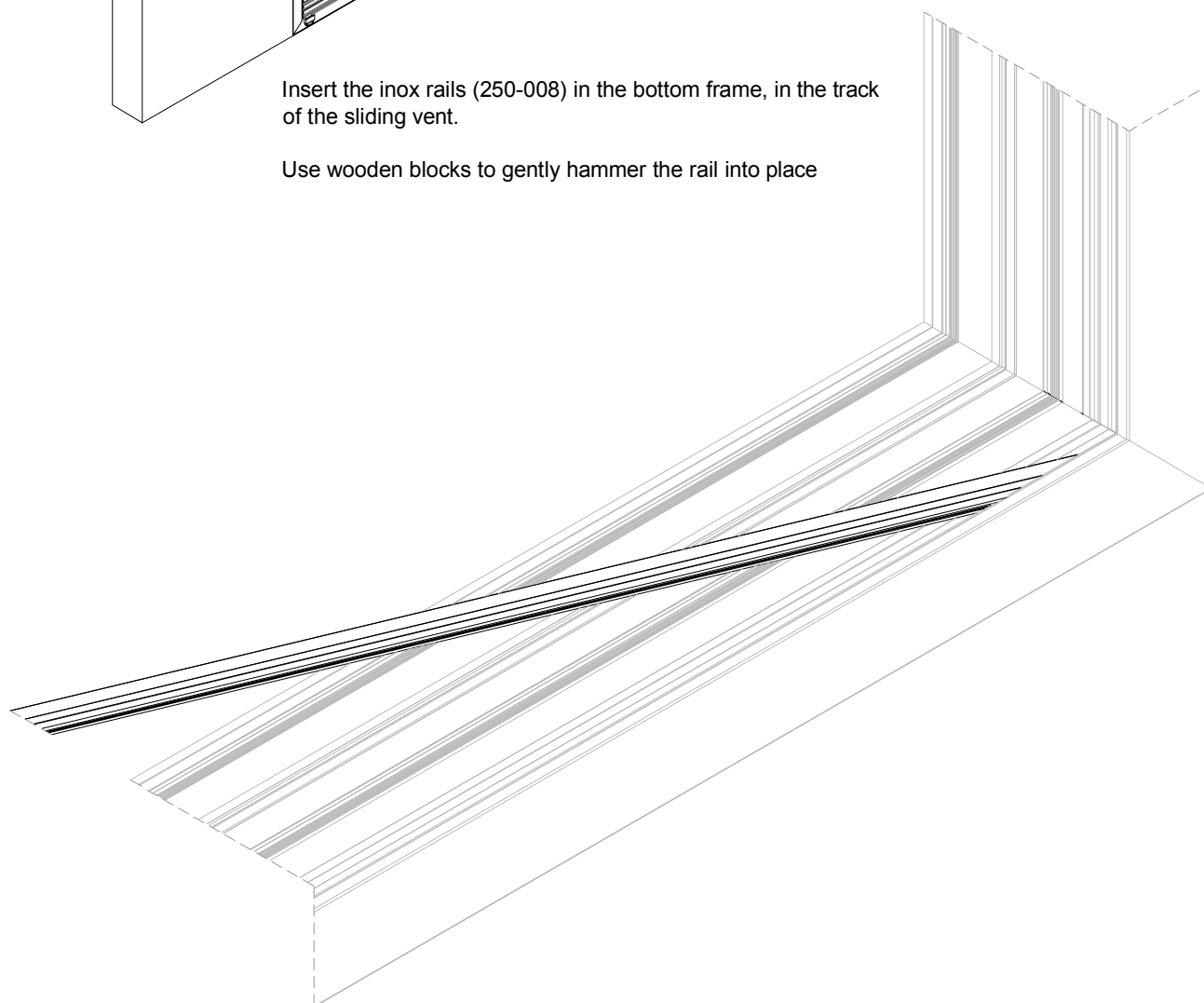
Do not drill the bottom track to avoid water penetration.
You can secure the base using corner connections as per the drawing below.



Step 8. Inserting the inox rails

Insert the inox rails (250-008) in the bottom frame, in the track of the sliding vent.

Use wooden blocks to gently hammer the rail into place

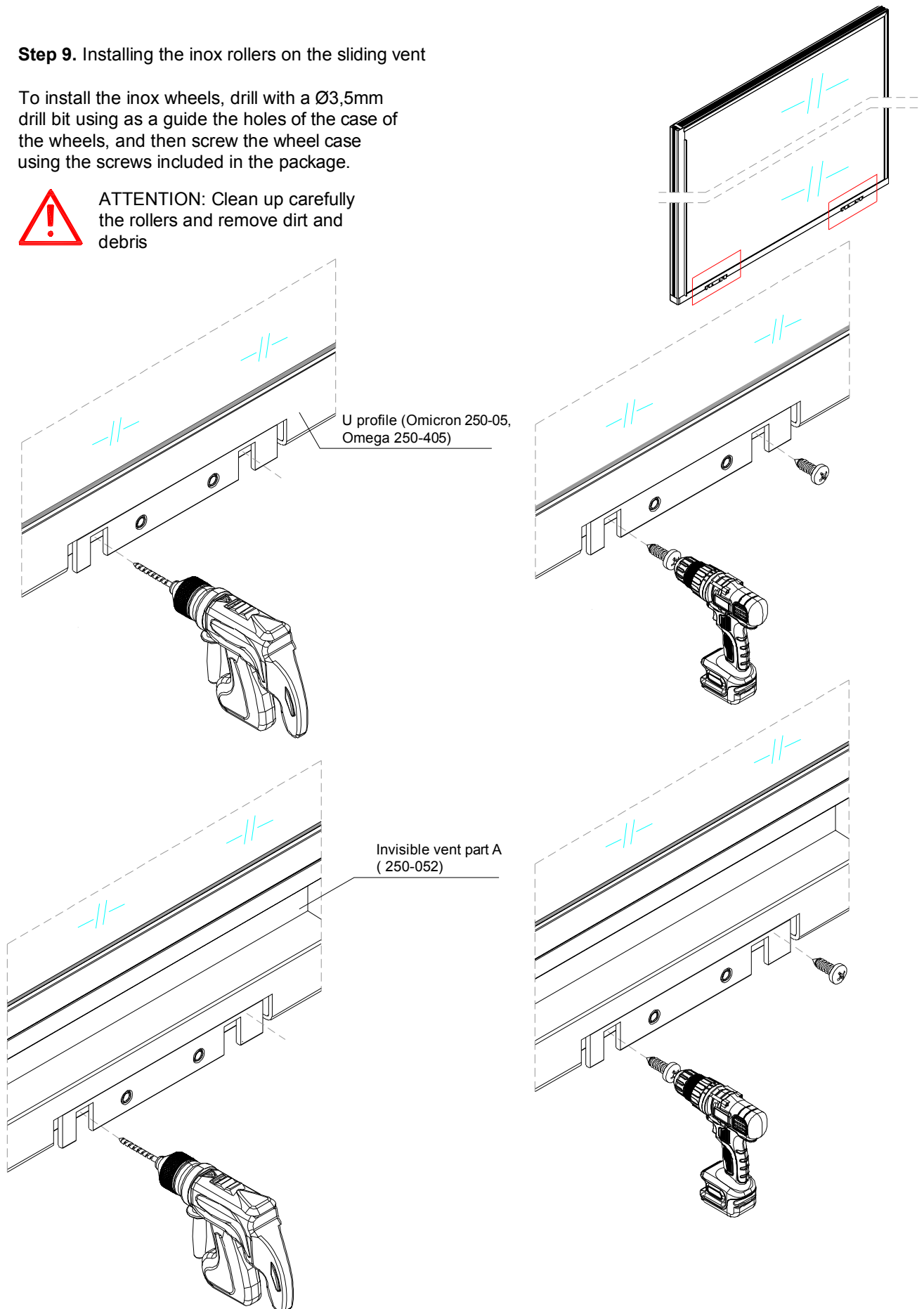


Step 9. Installing the inox rollers on the sliding vent

To install the inox wheels, drill with a $\text{Ø}3,5\text{mm}$ drill bit using as a guide the holes of the case of the wheels, and then screw the wheel case using the screws included in the package.



ATTENTION: Clean up carefully the rollers and remove dirt and debris

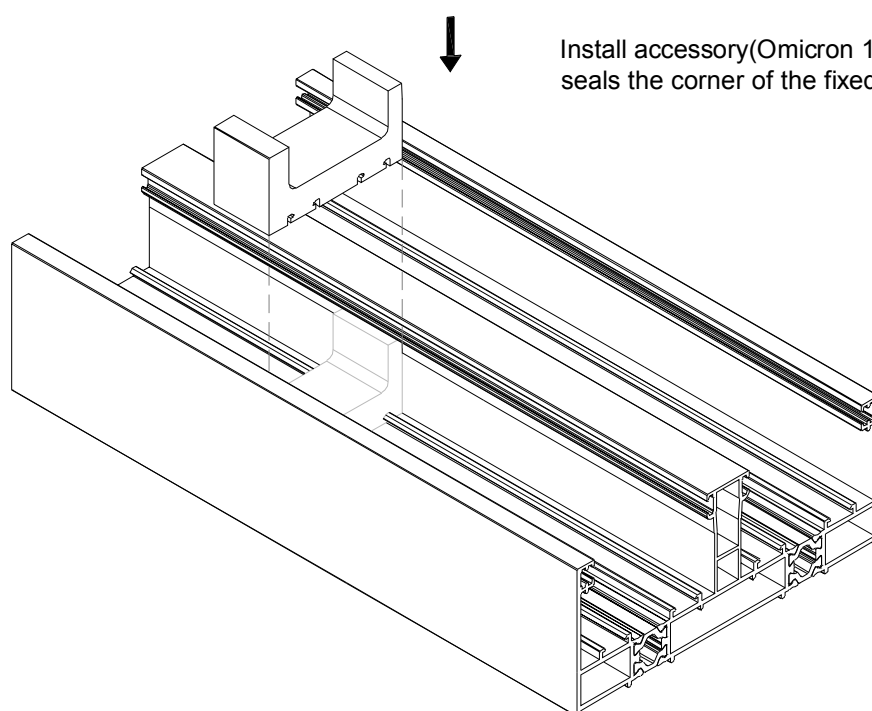
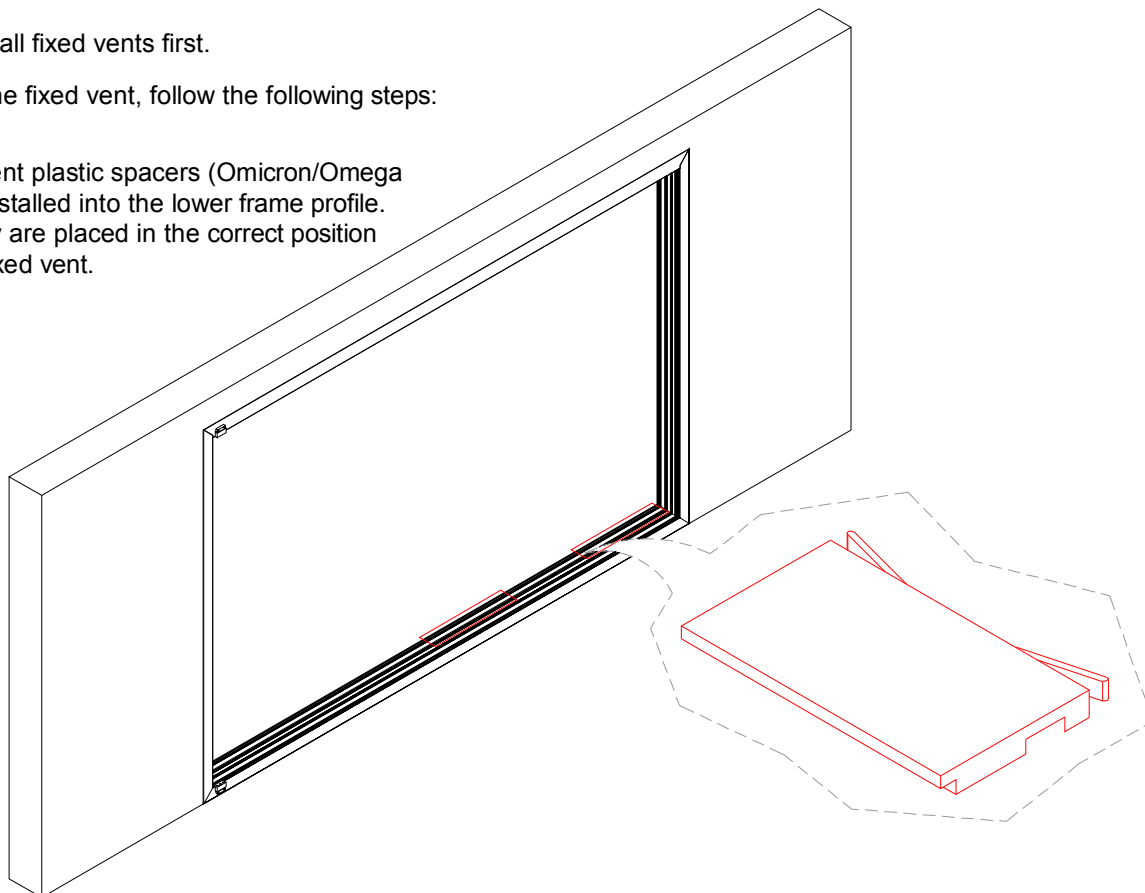


Step 10. Installing the fixed vent

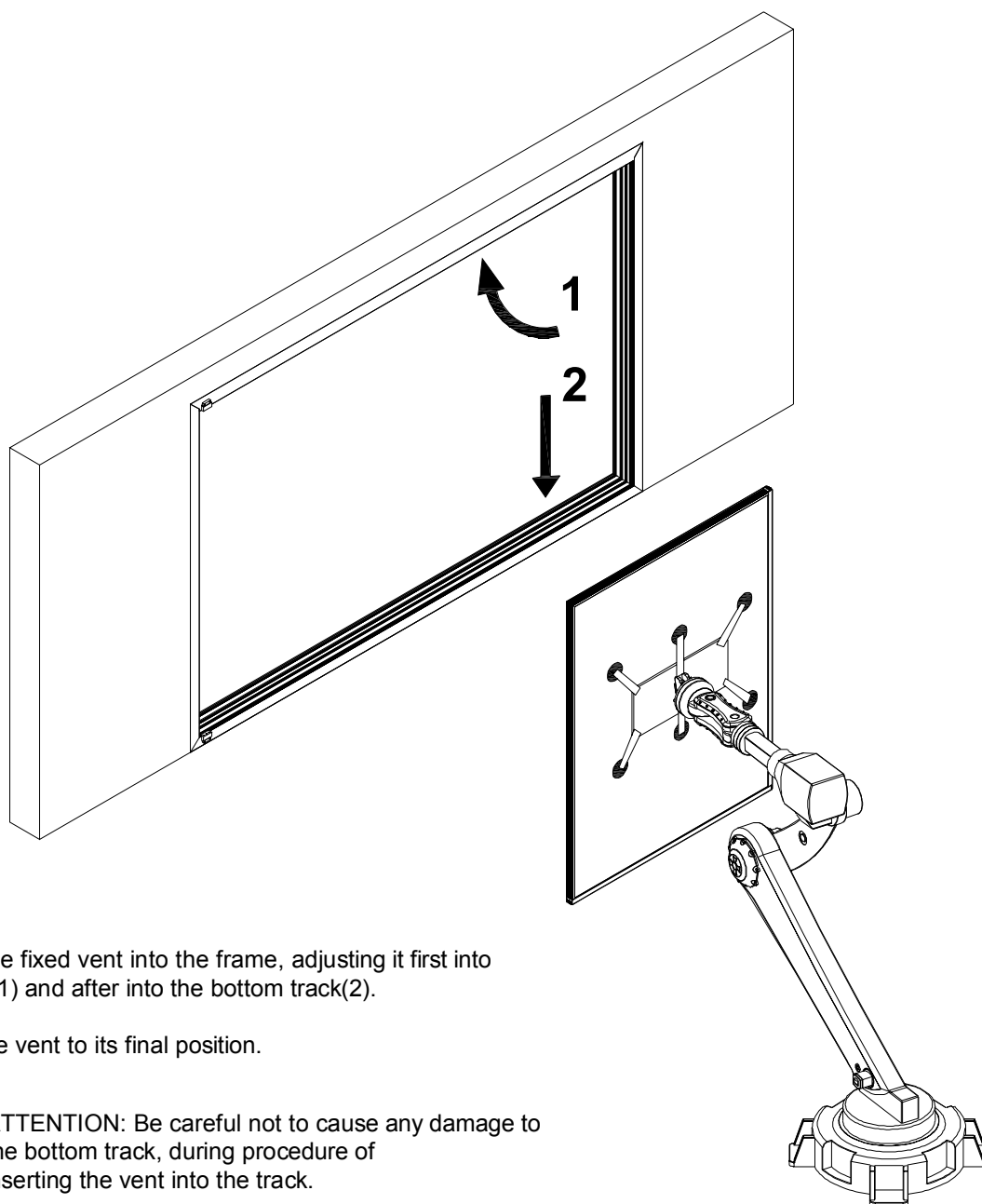
Always install fixed vents first.

To install the fixed vent, follow the following steps:

Find the fixed vent plastic spacers (Omicron/Omega 1090) already installed into the lower frame profile. Ensure that they are placed in the correct position to support the fixed vent.

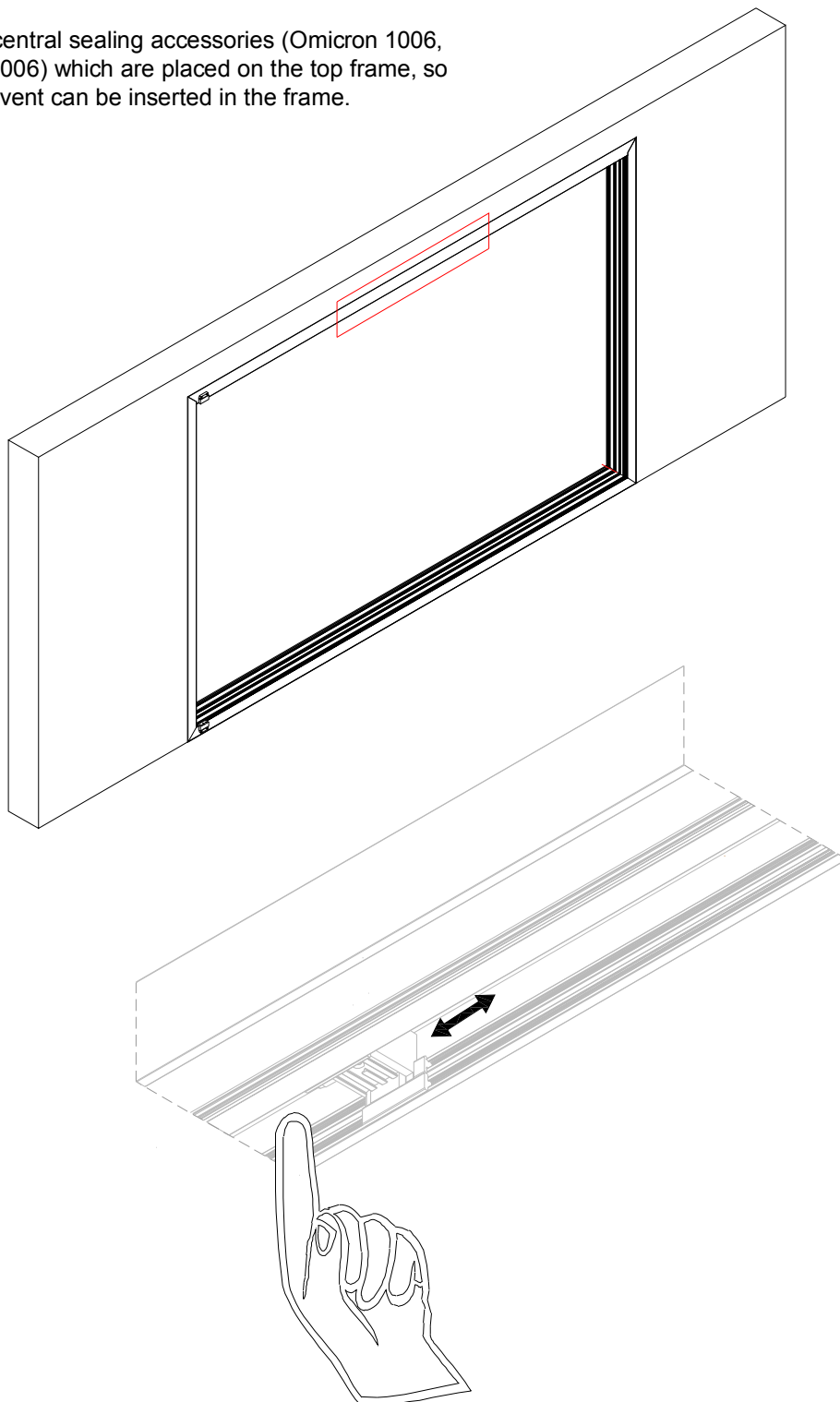


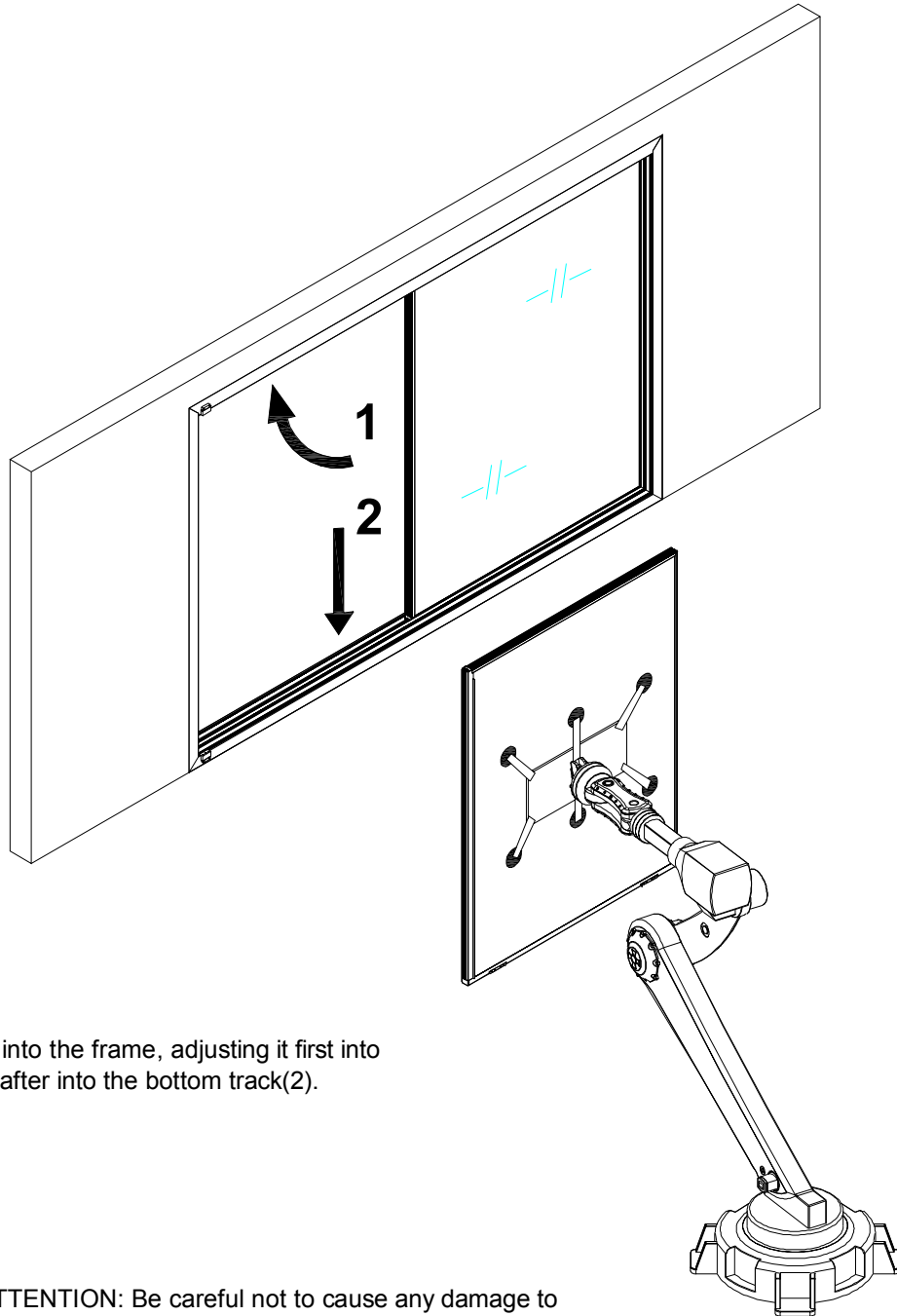
Install accessory(Omicron 1091, Omega A1091) which seals the corner of the fixed sash .



Step 11. Placing the sliding vent into the frame

Move the central sealing accessories (Omicron 1006, Omega A1006) which are placed on the top frame, so the sliding vent can be inserted in the frame.





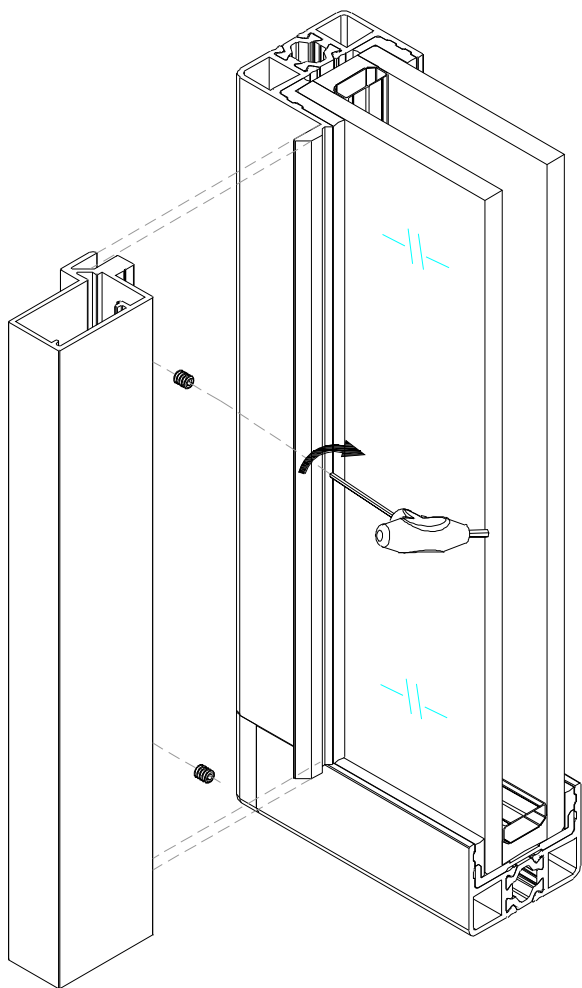
Place the vent into the frame, adjusting it first into the top(1) and after into the bottom track(2).



ATTENTION: Be careful not to cause any damage to the bottom track by the rollers, during procedure of inserting the vent into the track.



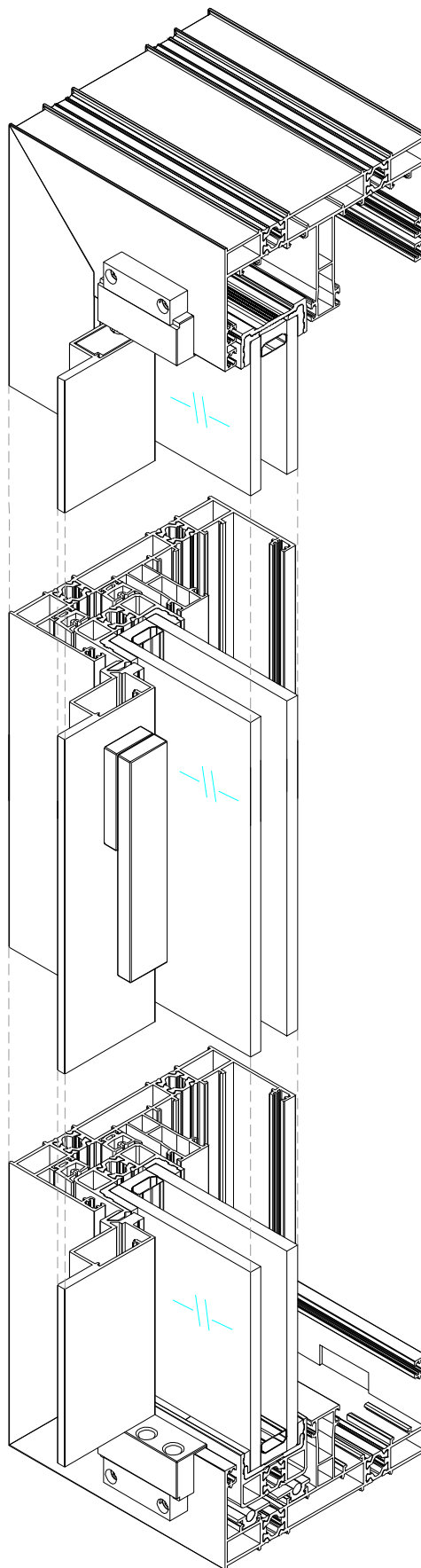
ATTENTION: Rollers are sensitive to damage. Do not let the vent standing on the rollers.

Step 12. Installing the handle bar locking

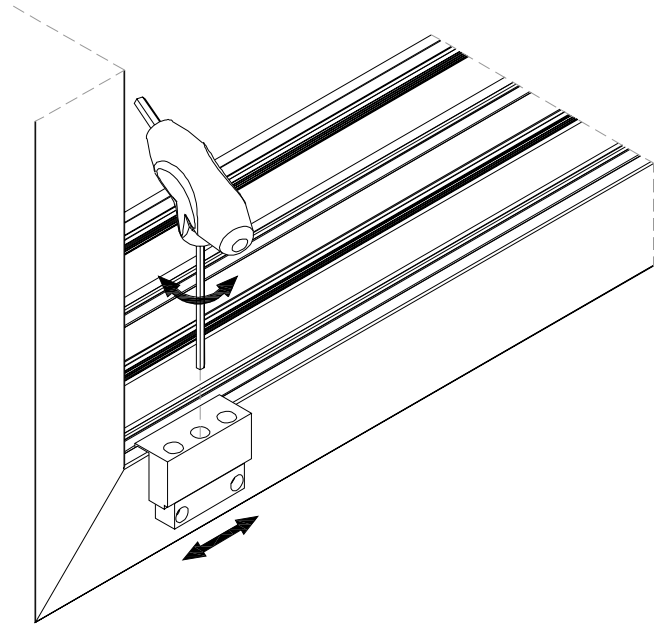
Install handle bar locking using allen key No2.



ATTENTION: Turn handle to "open" position before installation.



In case the locking doesn't fit with the rebates (1033) you can adjust the rebate's position ($\pm 3\text{mm}$). Use an allen key No 4 as shown in the picture.



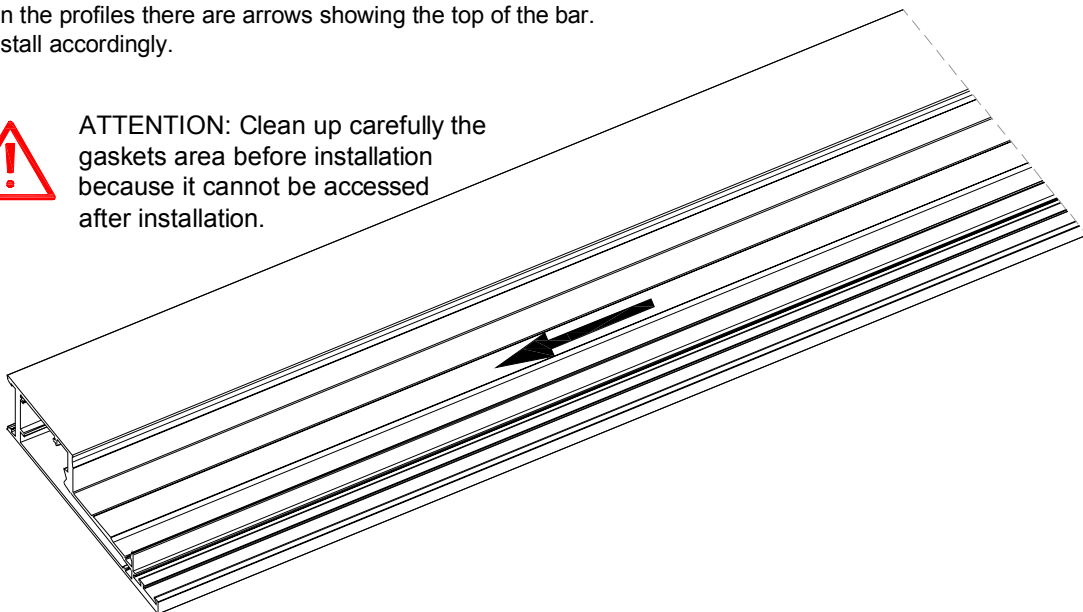
Step 13. Labyrinth profiles installation

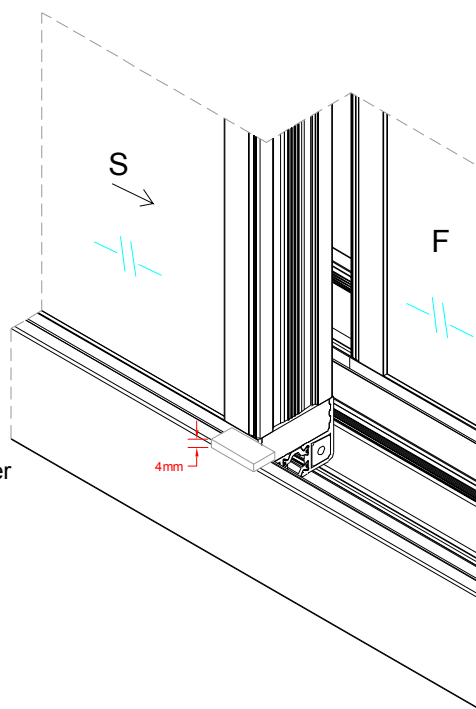
After you have placed all the vents and have adjusted the locking bars, install the labyrinth profiles.

On the profiles there are arrows showing the top of the bar. Install accordingly.



ATTENTION: Clean up carefully the gaskets area before installation because it cannot be accessed after installation.

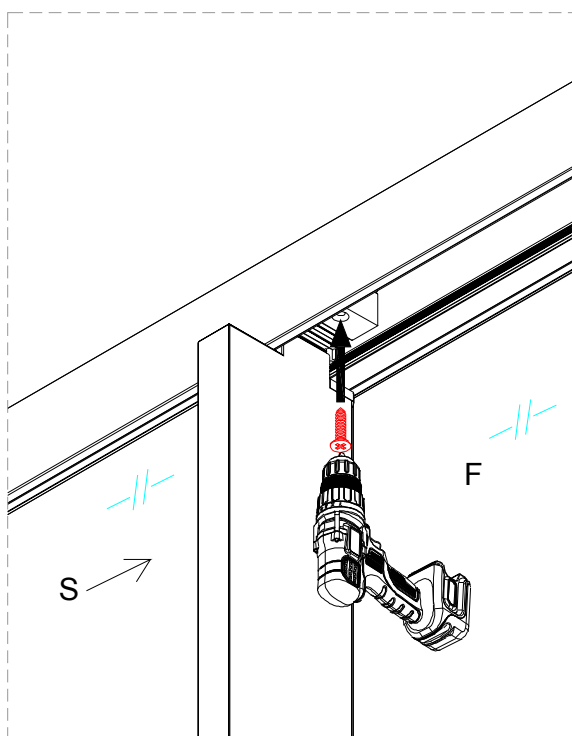
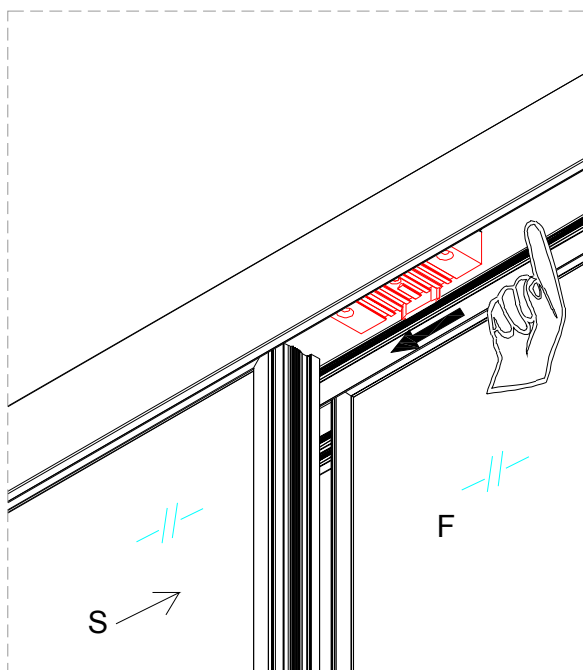




Use a plastic spacer of 4mm in order to glue the labyrinth profiles at the right position.

Place sliding vent at the locking position.
Slide the upper sealing block (Omicron 1006, Omega A-1006) into position.

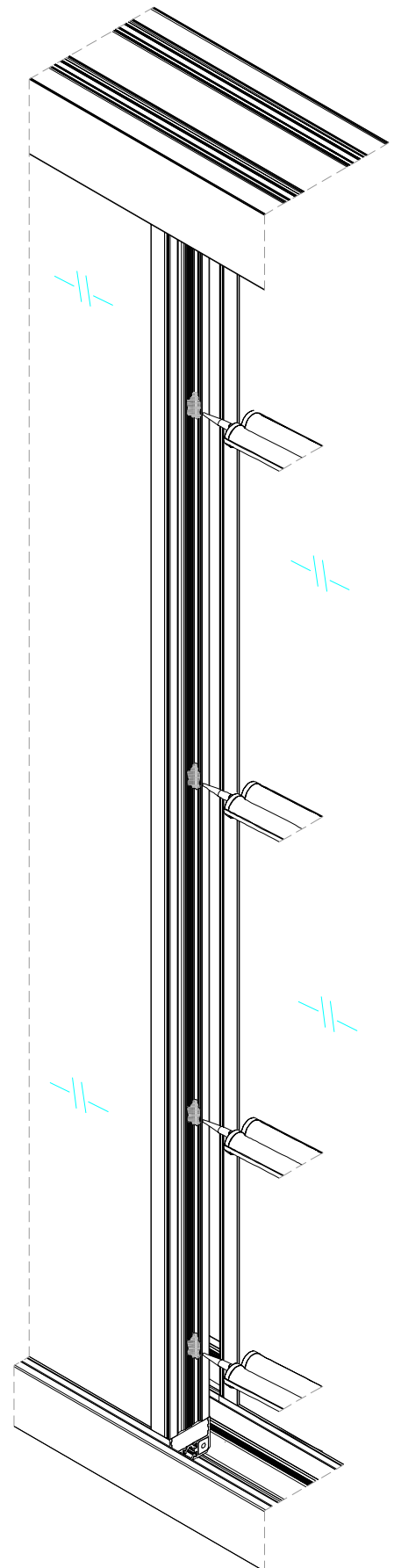
Screw the sealing block on the track, **ONLY** after labyrinth is installed, as shown in the following pictures.



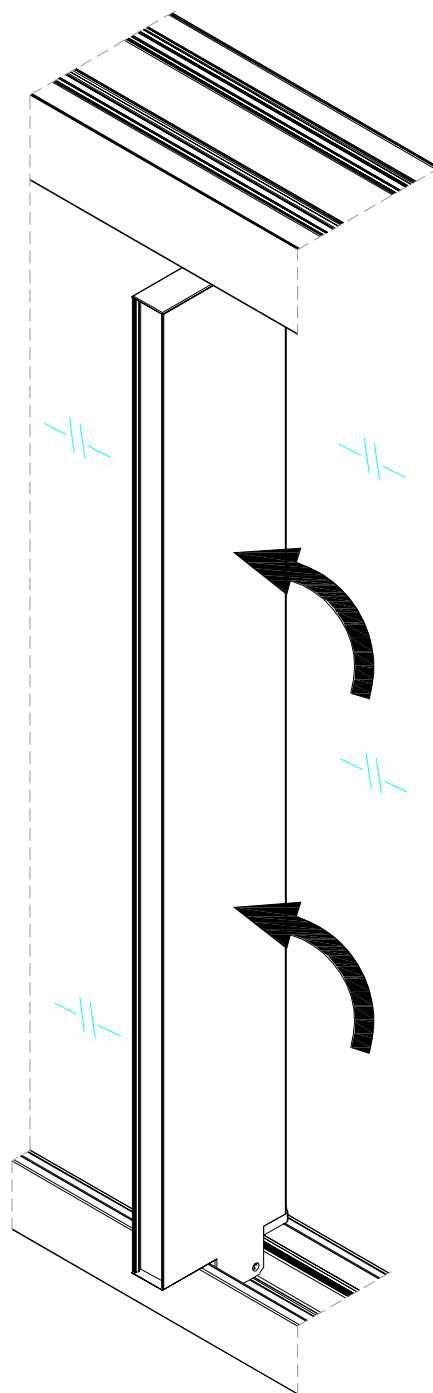
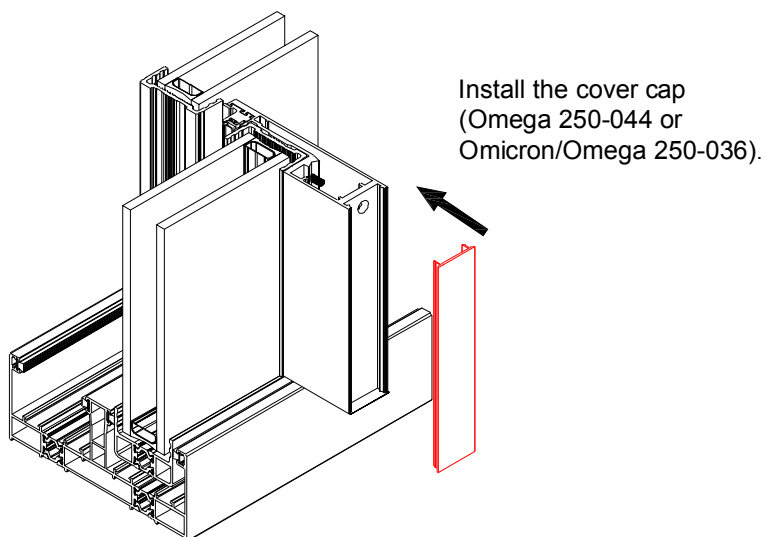
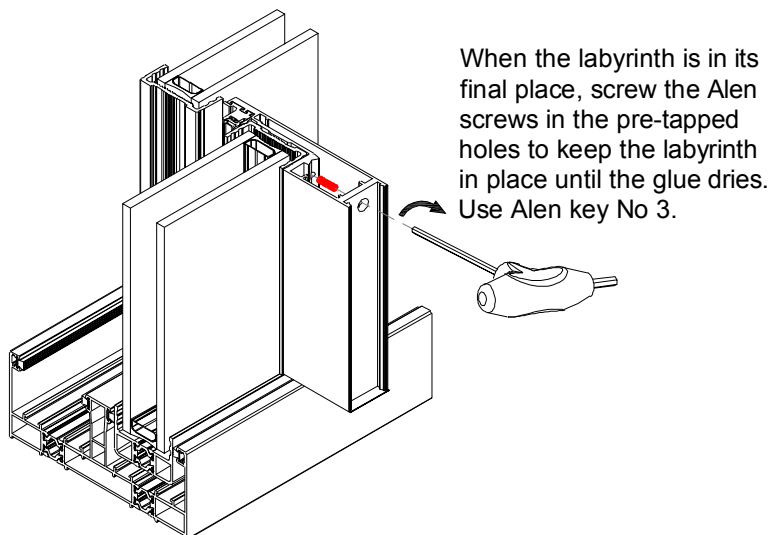
Use the 2 component glue that is included in the packaging. Apply the glue on the appropriate side of the vent in order to glue the labyrinth profile. Apply the glue on 4 spots/3m height on the vertical U profile (Omicron 1202, Omega A1212).



ATTENTION: Use a new nozzle for every labyrinth profile glue application, because it dries rapidly!



Install the labyrinth profile (Omicron 250-009, Omega 250-043, Omicron 250-045, Omega 250-034) right after the glue application.

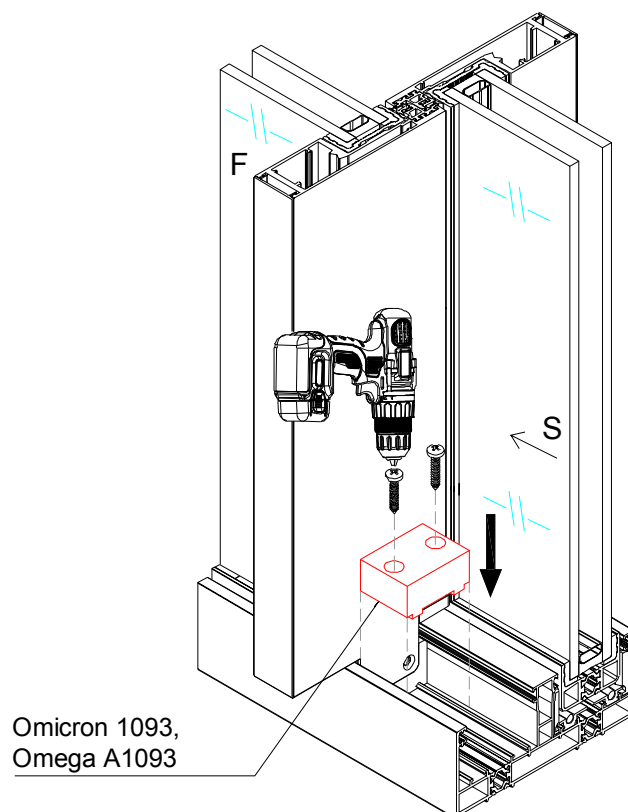
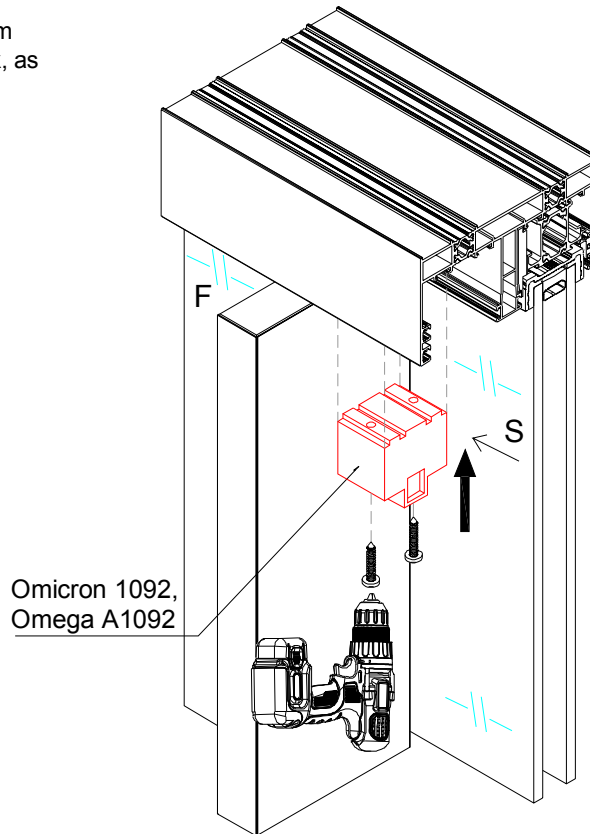


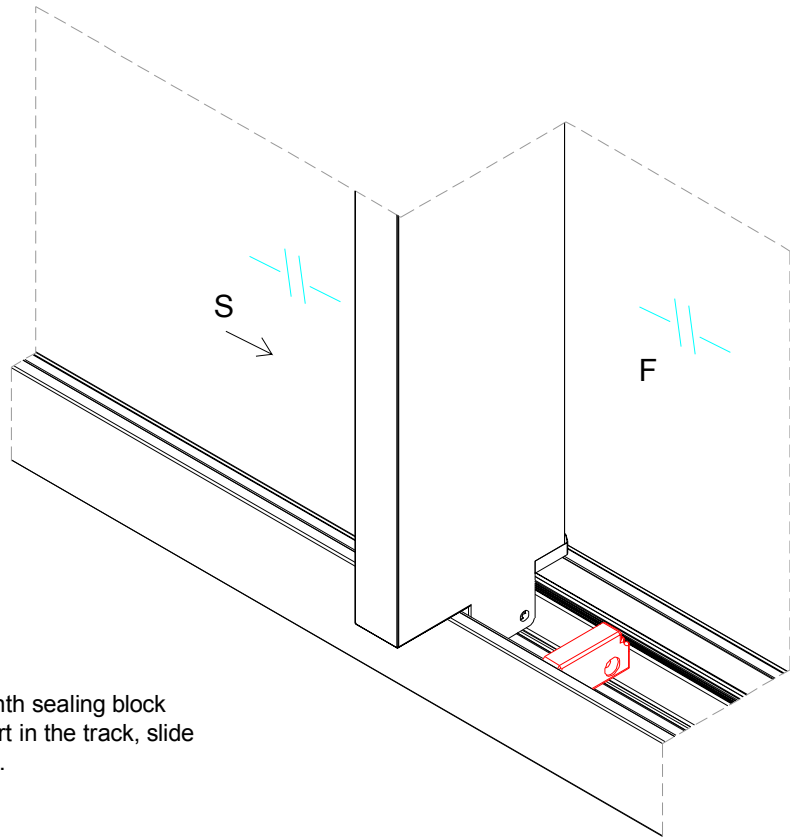
ATTENTION: Specifically for the labyrinth Omicron 250-009, the Alen screws are not used.

Step 14. Top and Bottom securing blocks

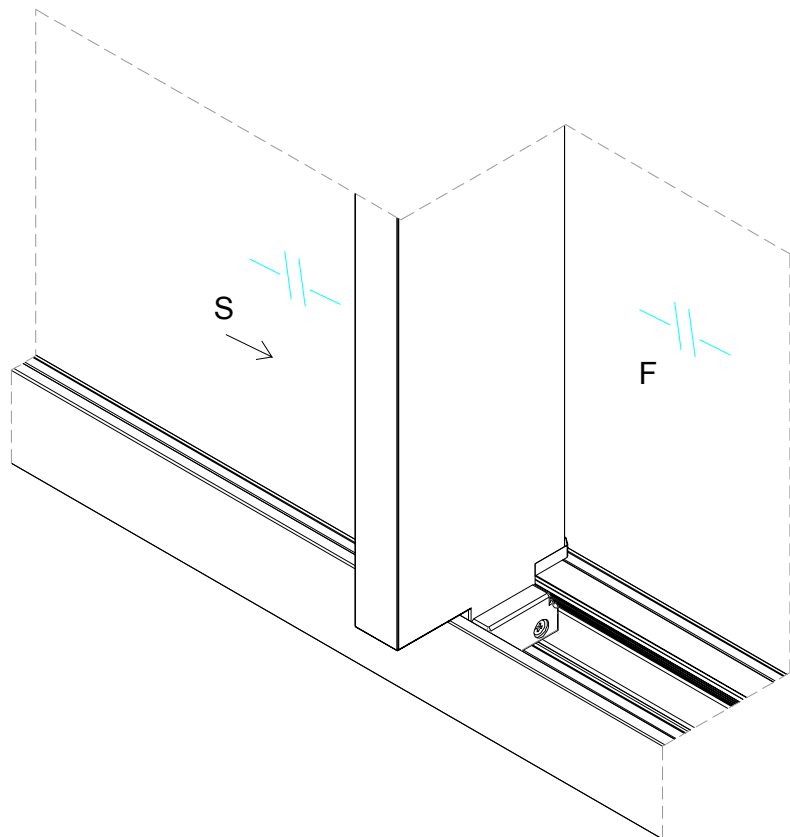
For fix vents: install the top and bottom securing blocks in the fixed vent track, as shown in the following pictures.

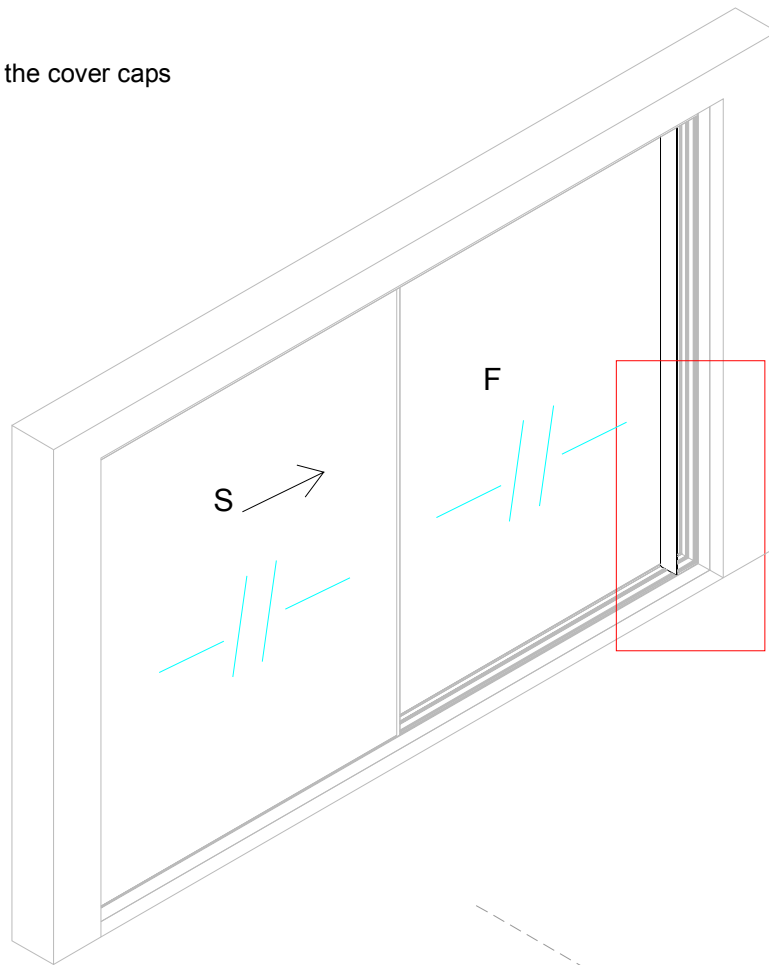
For sliding vents: install stopper at the top track of the sliding vent (Omicron 1251, Omega A1251).





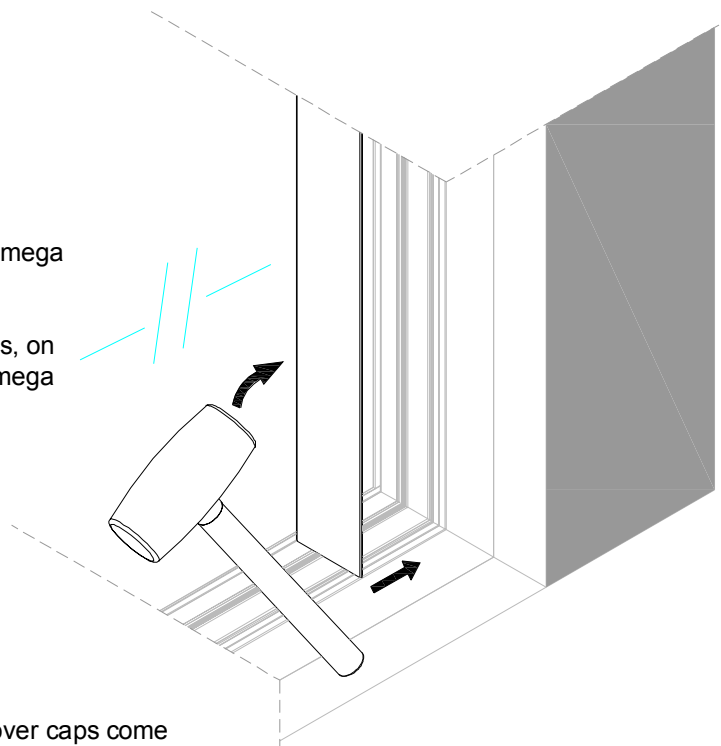
For sliding vents: Install bottom labyrinth sealing block (Omicron 1007, Omega A-1007). Insert in the track, slide against the labyrinth profile and screw.



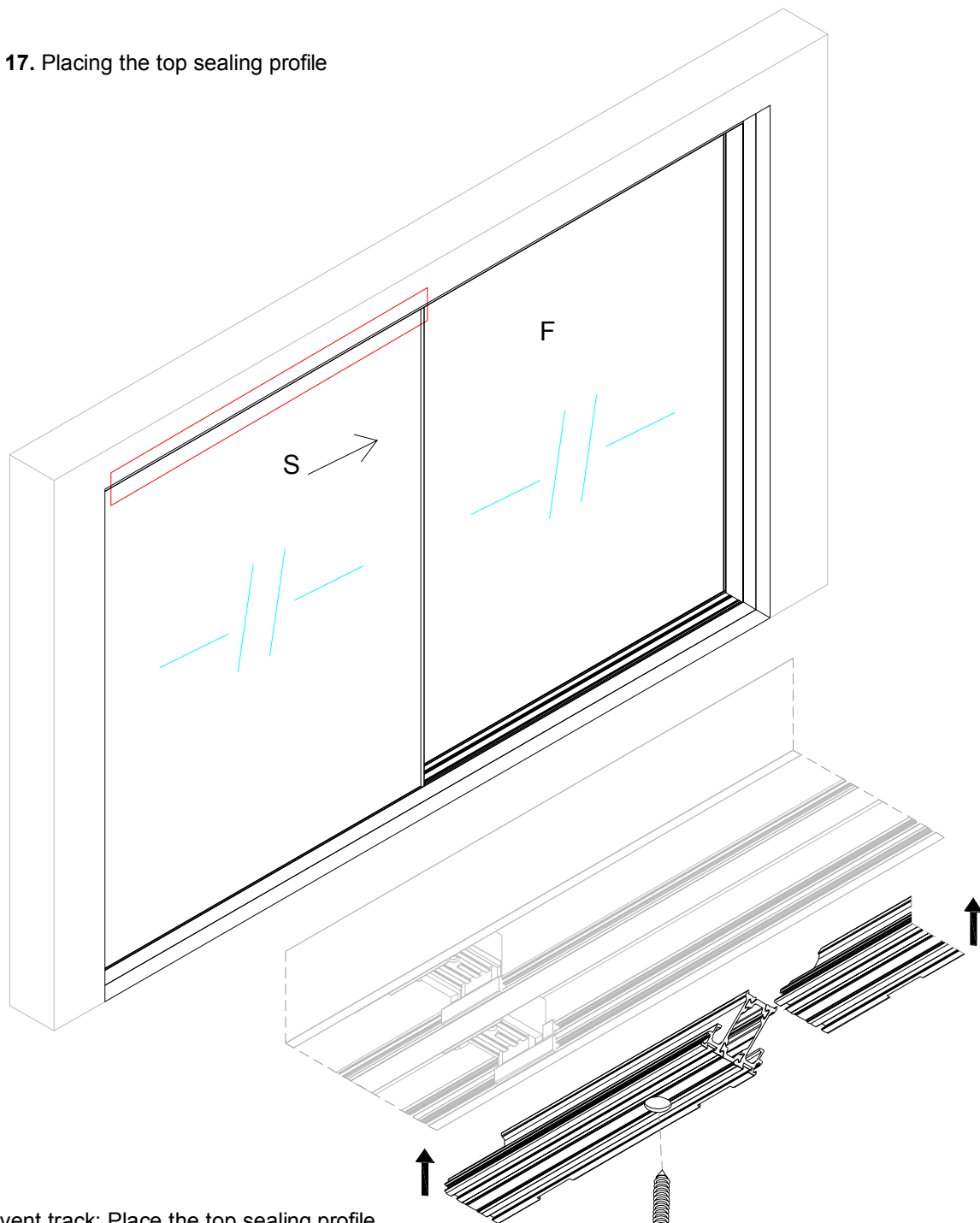
Step 16. Placing the cover caps

Install the vertical cover caps (Omicron 250-012, Omega 250-042) on the vertical frame tracks.

For fixed vent track, install the horizontal cover caps, on bottom and top frame tracks (Omicron 250-011, Omega 250-041).

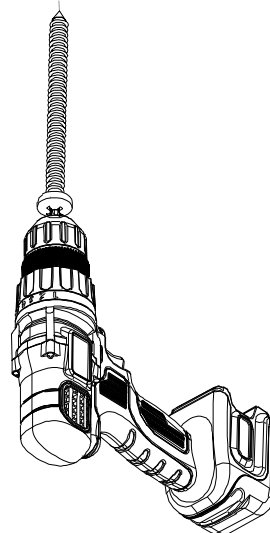


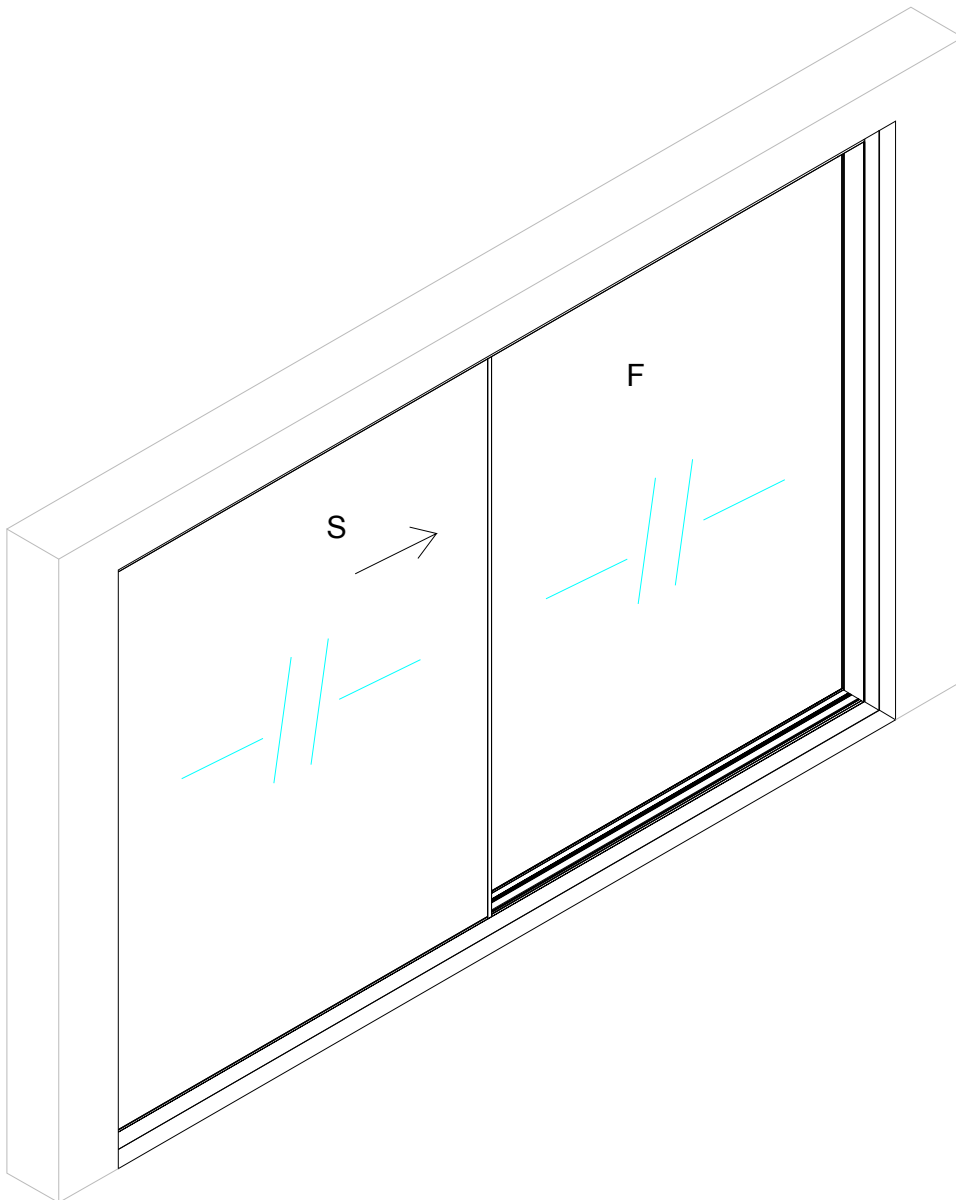
ATTENTION: Horizontal and Vertical cover caps come always longer and must be cut by the installer on site, at the exact needed length.

Step 17. Placing the top sealing profile

For sliding vent track: Place the top sealing profile (Omicron 250-19, Omega 250-446) in the top frame track and screw it. Use the premade holes of the top sealing profile.

For the frames of big width, extra screws can be used to secure the top track with the wall. Depending on the length of the top track and the wall substrate use appropriate screws and fixing intervals.





ORAMA minimal frame's installation is complete.

NOTES:



A B C

A-Frame corner connection

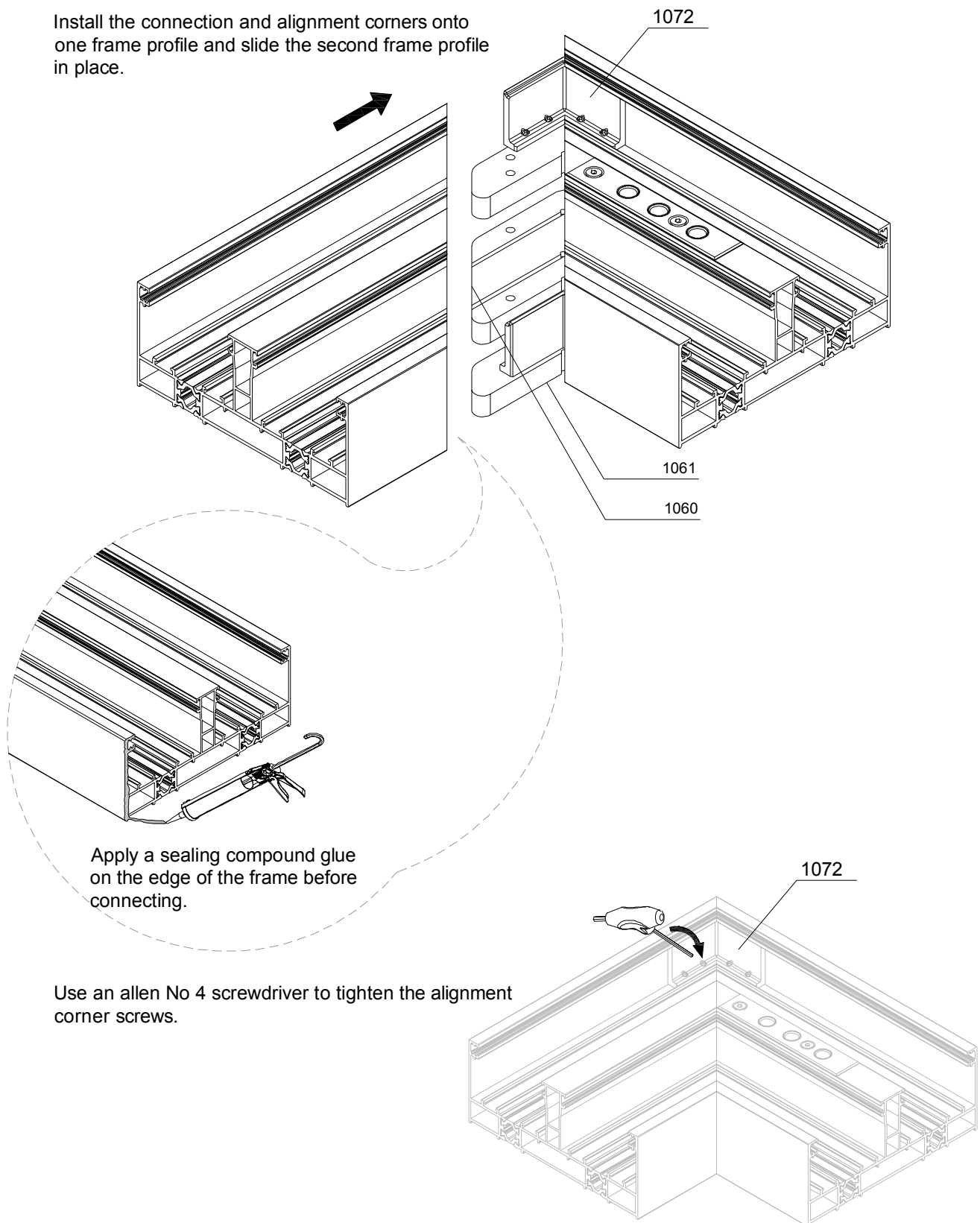
B-Frame butt joint

C-Combination of triple frame with double frame and triple frame with single frame

A. Frame corner connection

Prepare 2 parts of the corner frame separately as described in the manual. Then proceed with the corner connection.

Install the connection and alignment corners onto one frame profile and slide the second frame profile in place.

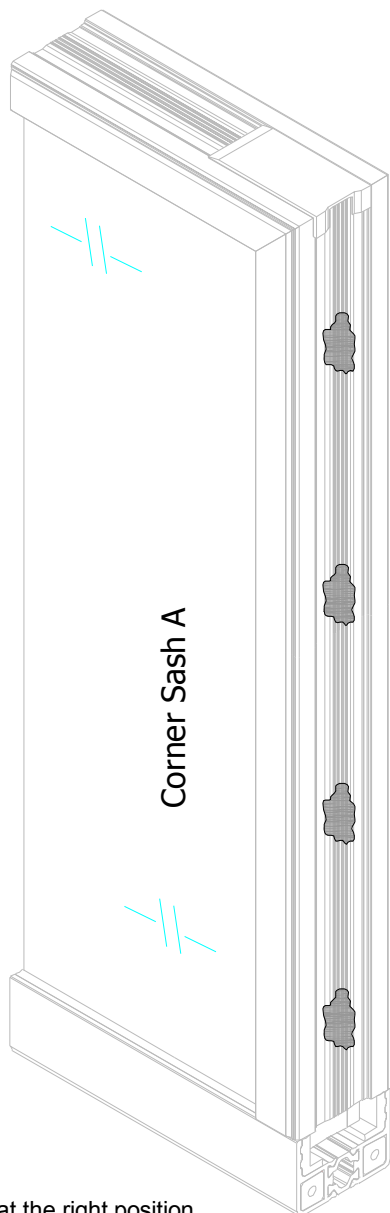


Installation of corner profile

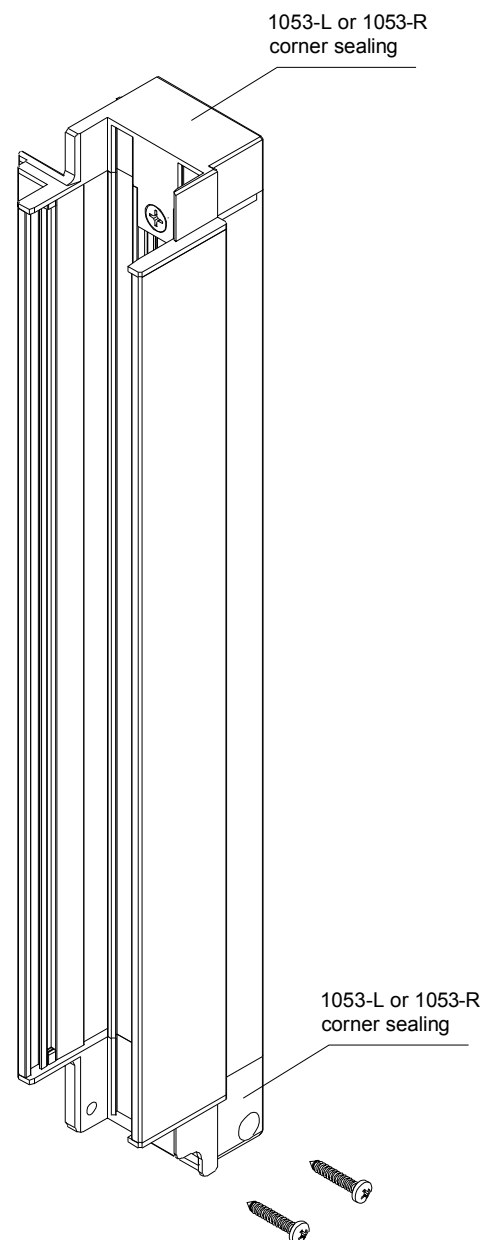
Install the frames and place the sashes into the tracks according to the manual.

Install the corner profile (Omicron 250-17, Omega 250-417) onto the corner sash "A" repeating the procedure for labyrinth installation.

On the profiles there are arrows showing the top of the bar. Install accordingly.



ATTENTION: Clean up carefully the gaskets area before installation because it cannot be accessed after installation.



Use a plastic spacer of 4mm in order to glue the corner profile at the right position

Use the 2 component glue that is included in the packaging. Apply the glue on the appropriate side of the vent in order to glue the labyrinth profile. Apply the glue on 4 spots on the vertical U profile (Omicron 1202, Omega A1212).

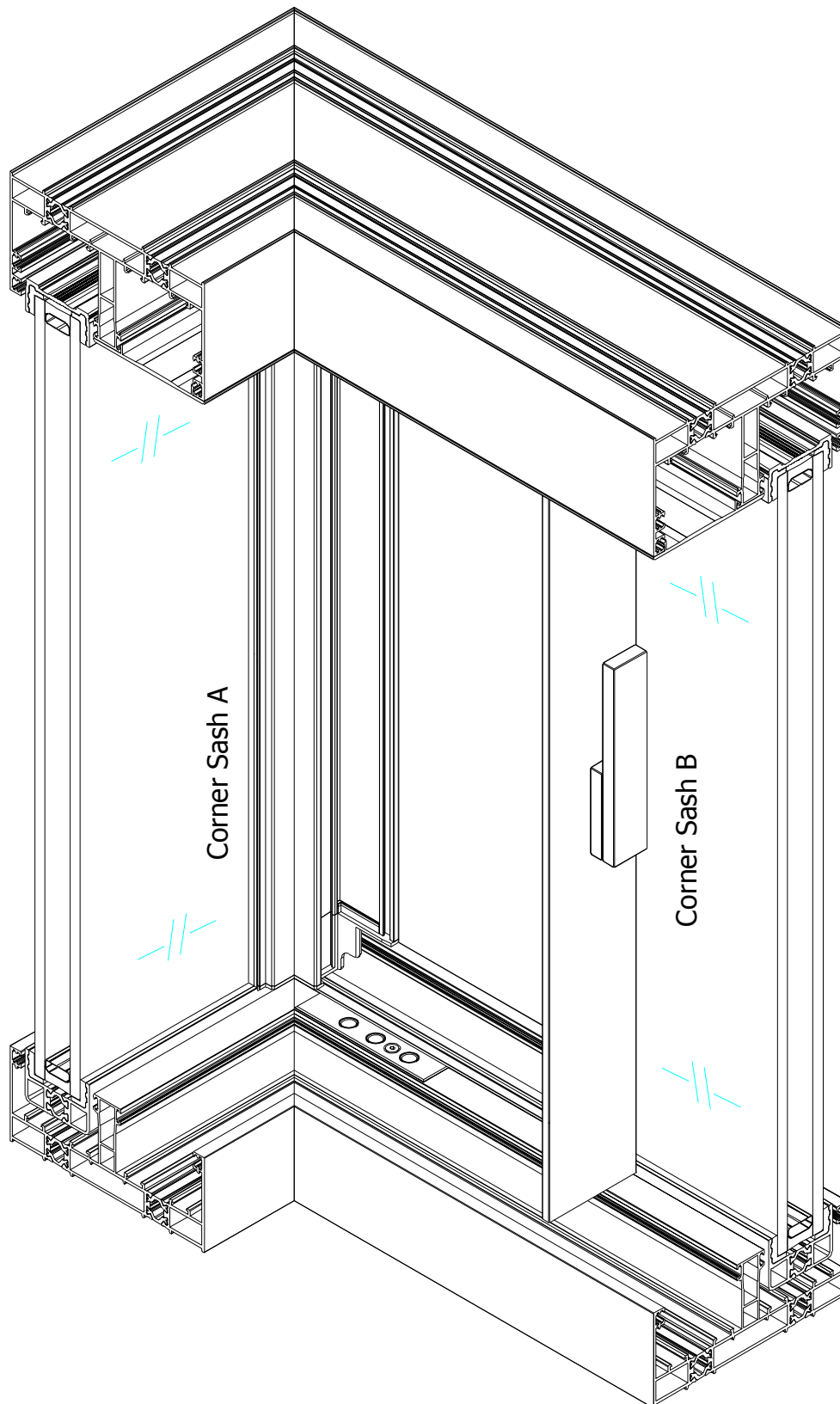


ATTENTION: Use a new nozzle for every labyrinth profile glue application, because it dries rapidly!

Secure the lower plastic cap with screws (1053-L or 1053-R)

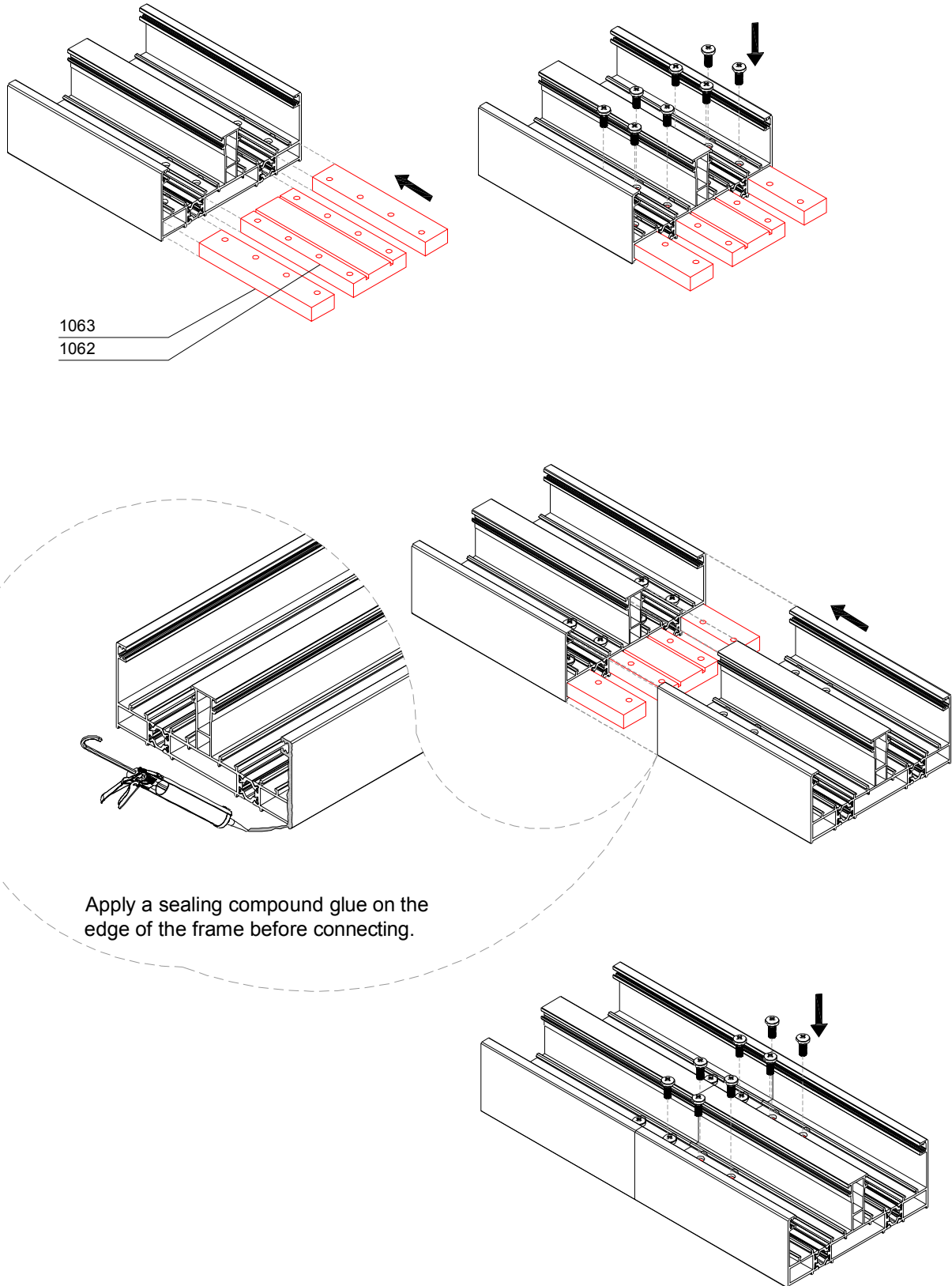
On corner sash "B" install the handle lock bar as usual (step 12).

Corner installation is complete.

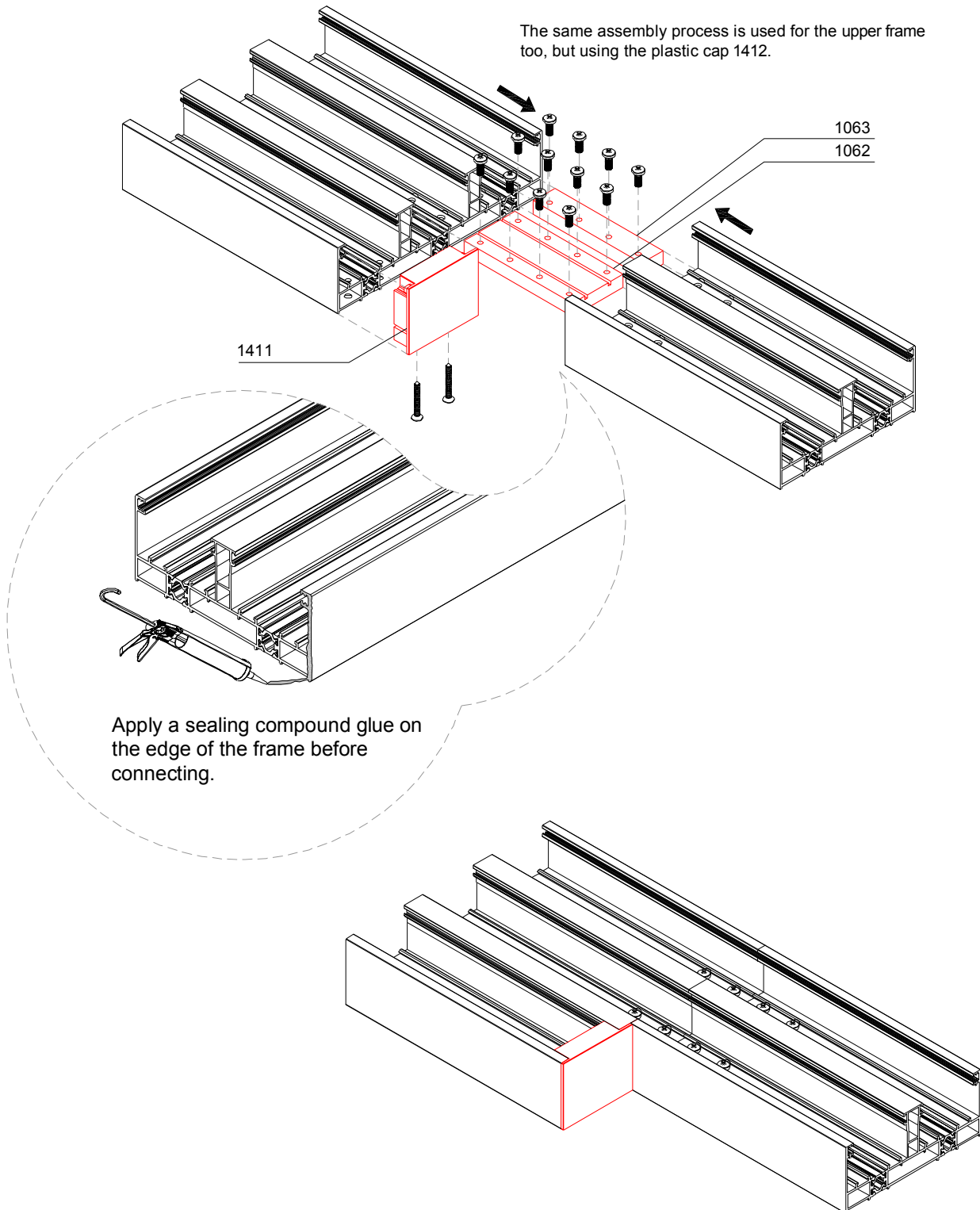


B. Frame butt joint

Track continuity connection for tracks wider than the profile bar length (6m)

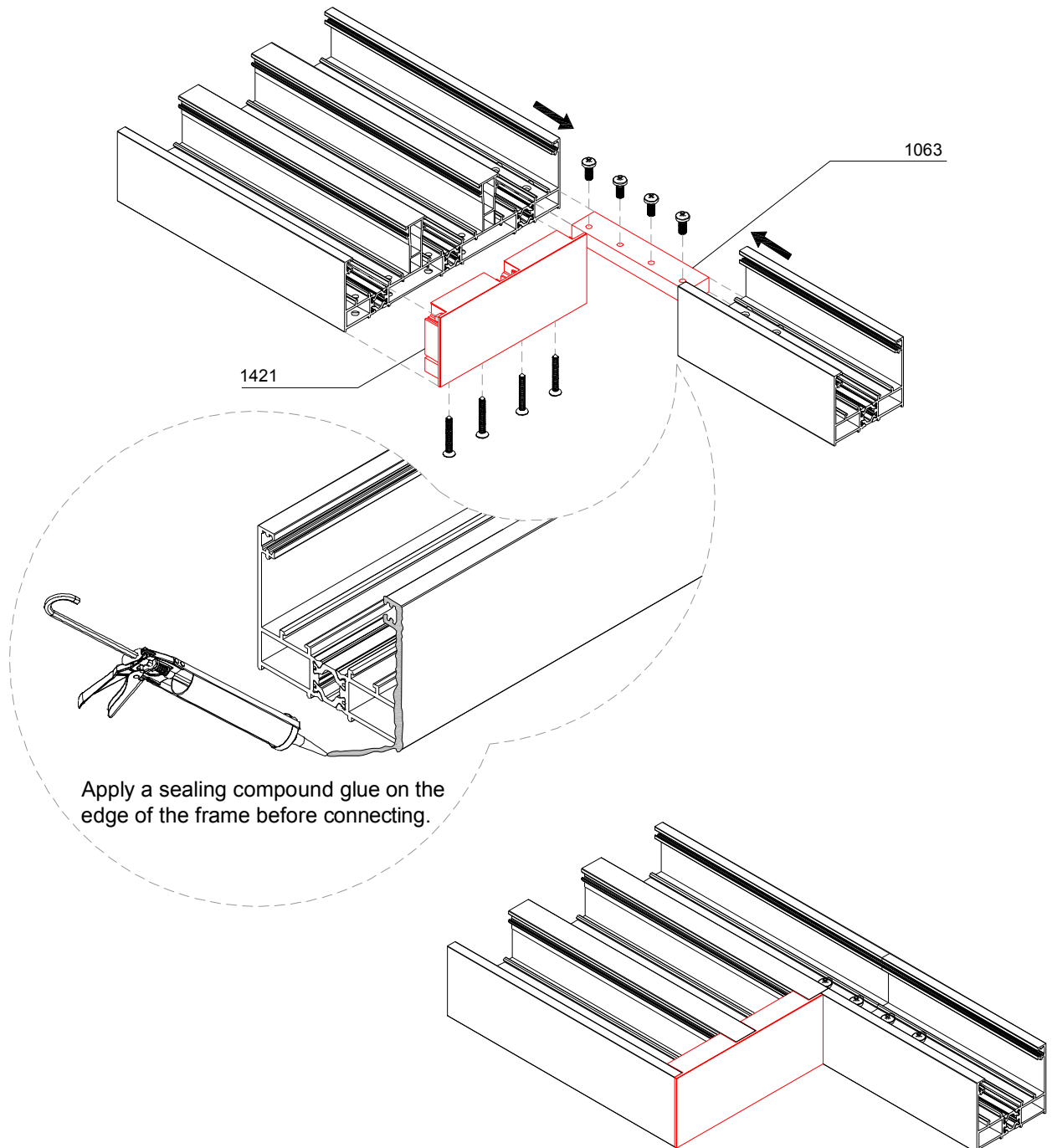


Apply a sealing compound glue on the edge of the frame before connecting.

C. 1. Combination of triple frame with double frame.

C. 2. Combination of triple frame with single frame.

The same assembly process is used for the upper frame too, but using the plastic cap 1422.



Apply a sealing compound glue on the edge of the frame before connecting.

NOTES:

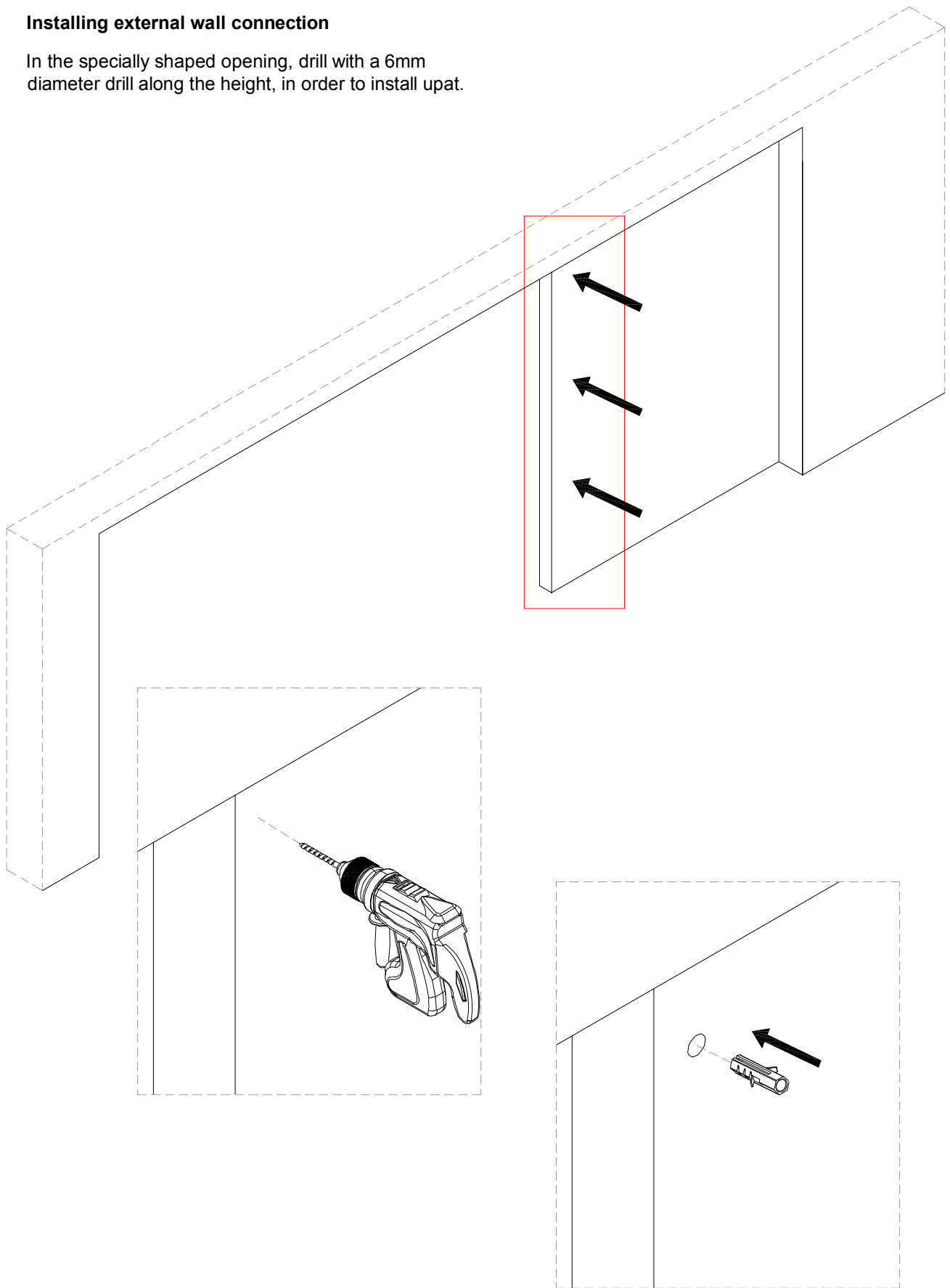


POCKET SS

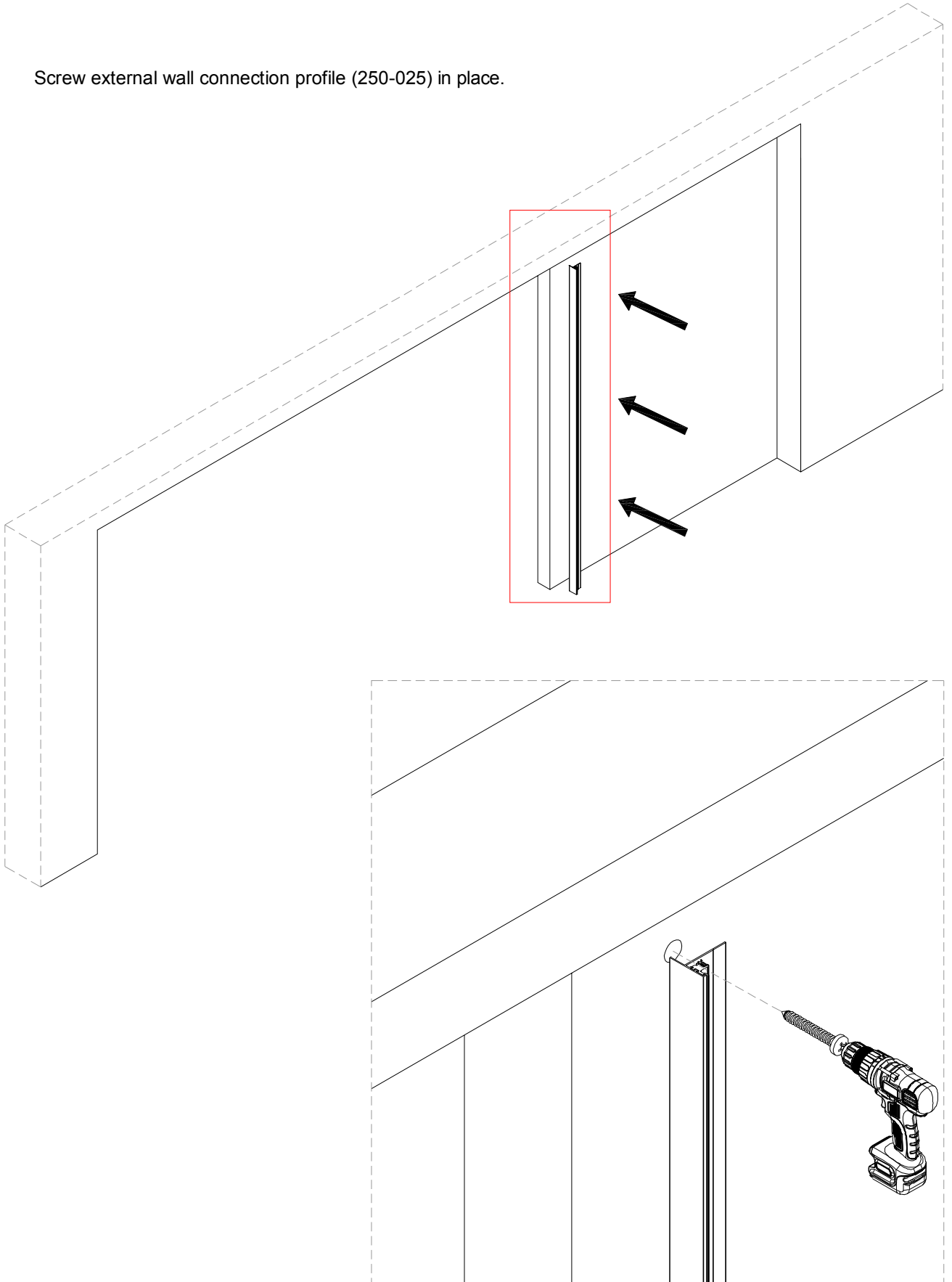
(For SS Omicron/Omega/Invisible)

Installing external wall connection

In the specially shaped opening, drill with a 6mm diameter drill along the height, in order to install upat.

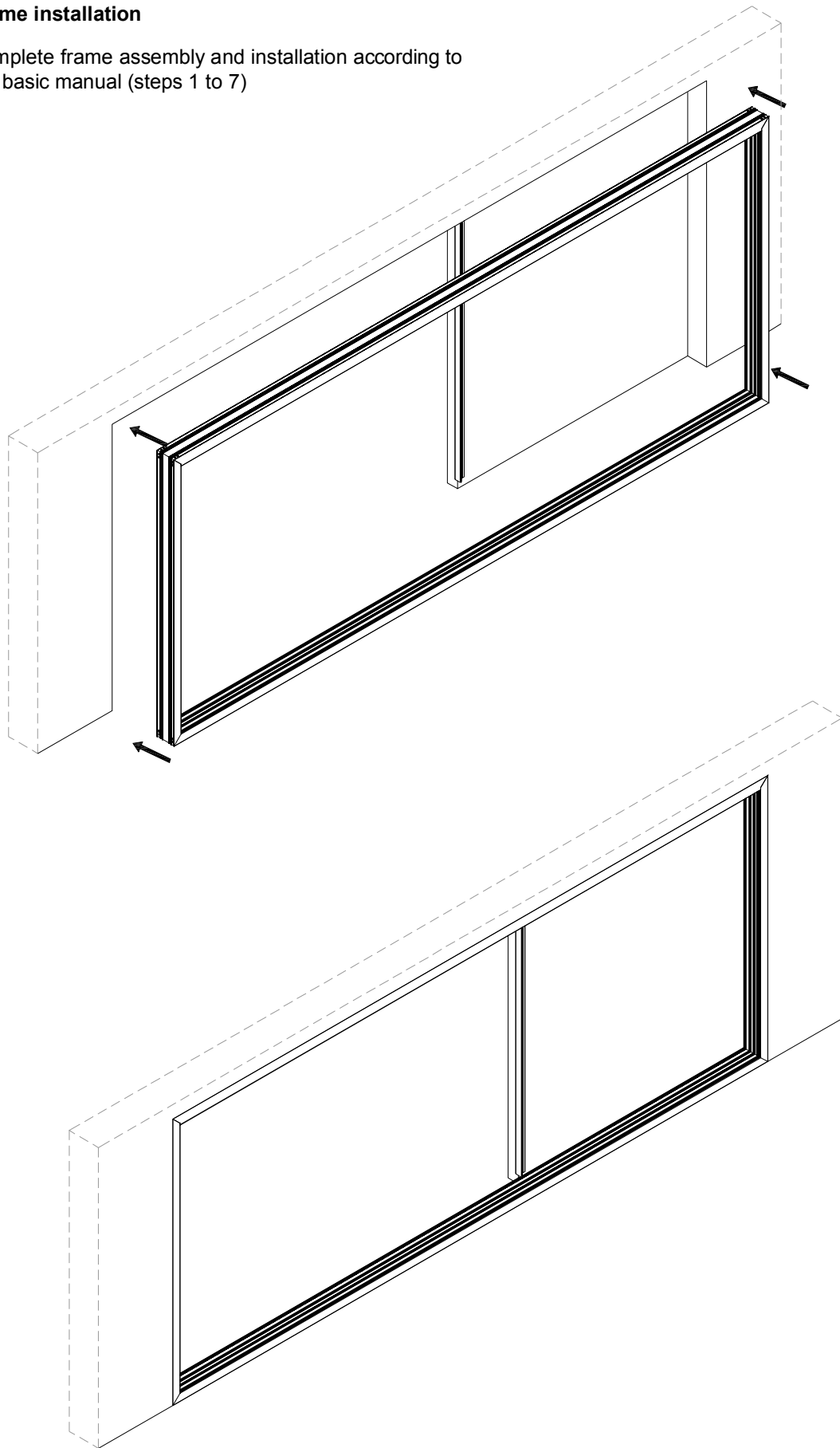


Screw external wall connection profile (250-025) in place.

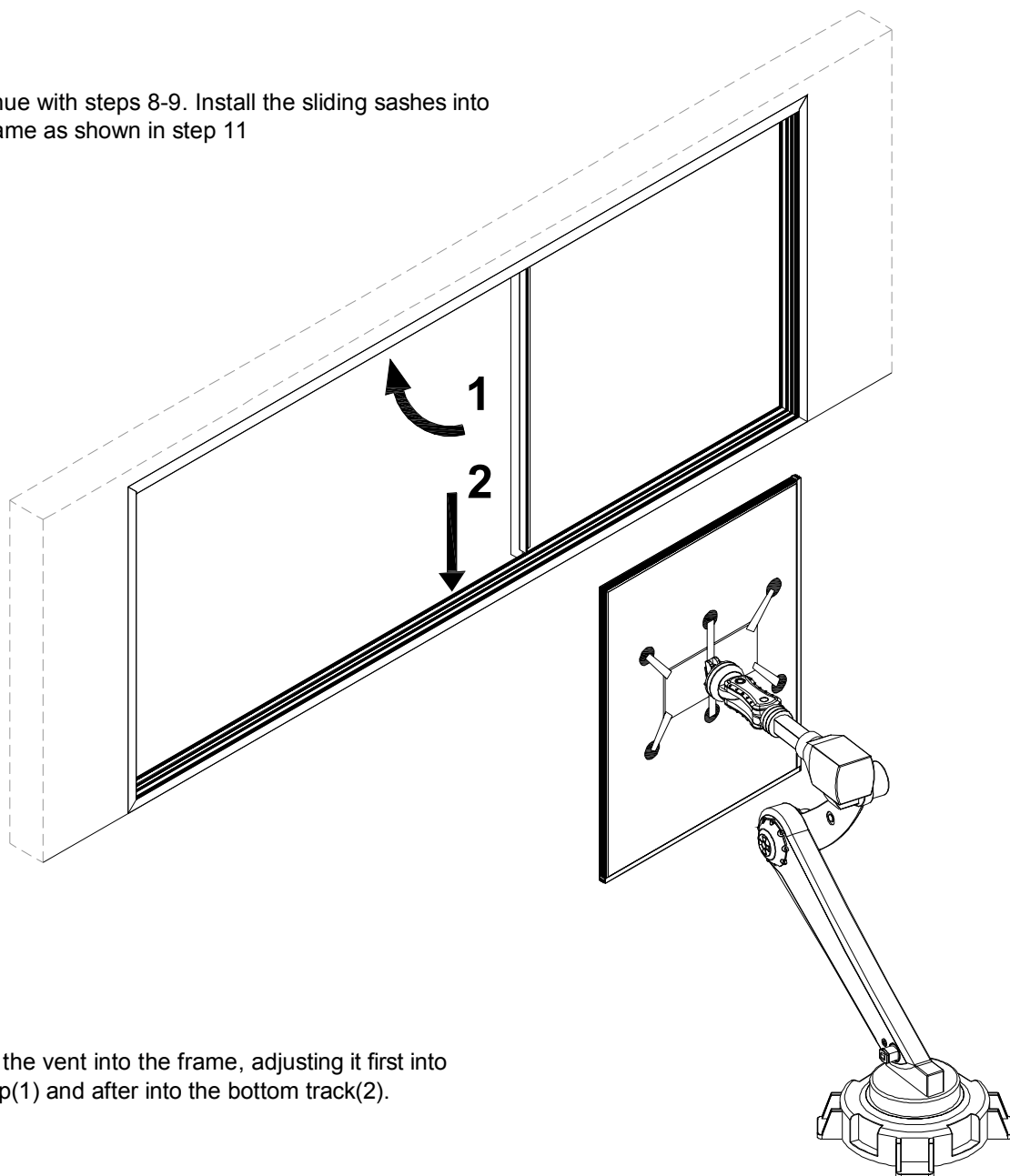


Frame installation

Complete frame assembly and installation according to the basic manual (steps 1 to 7)



Continue with steps 8-9. Install the sliding sashes into the frame as shown in step 11



Place the vent into the frame, adjusting it first into the top(1) and after into the bottom track(2).

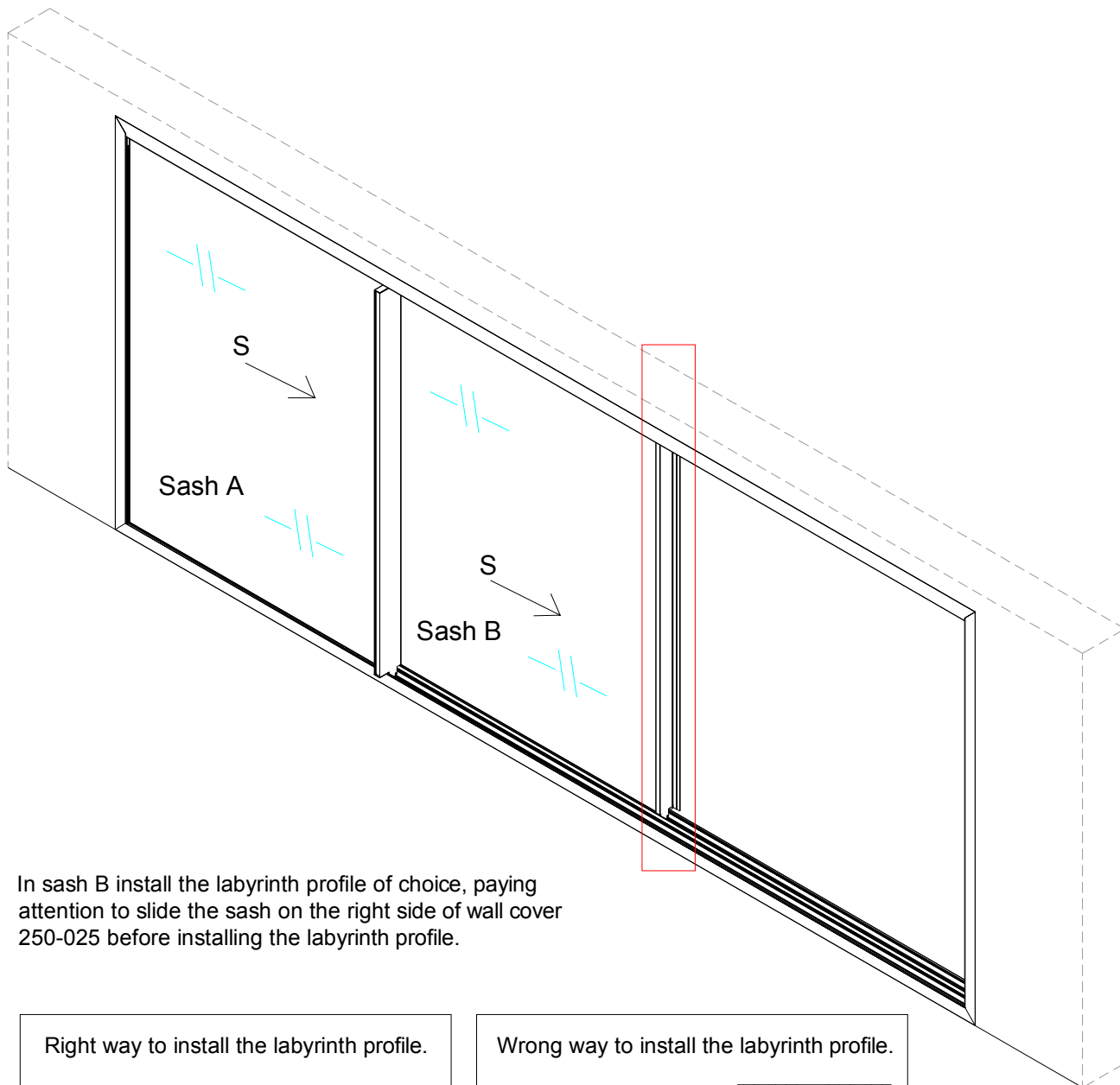


ATTENTION: Be careful not to cause any damage to the bottom track by the rollers, during procedure of inserting the vent into the track.

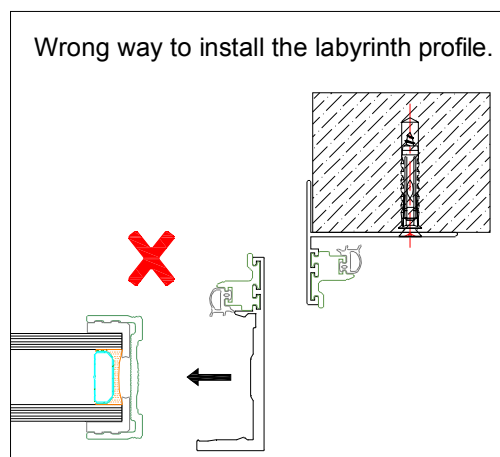
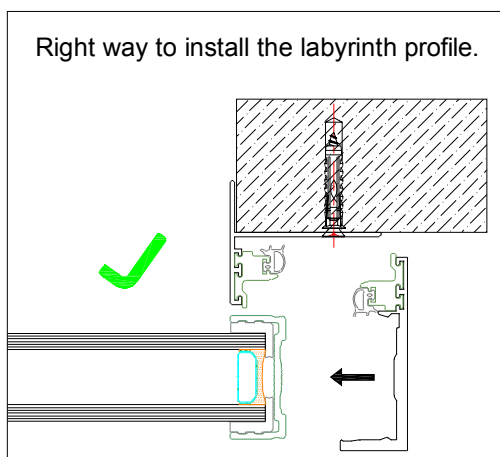


ATTENTION: Rails are sensitive to damage. Do not let the vent standing on the rollers.

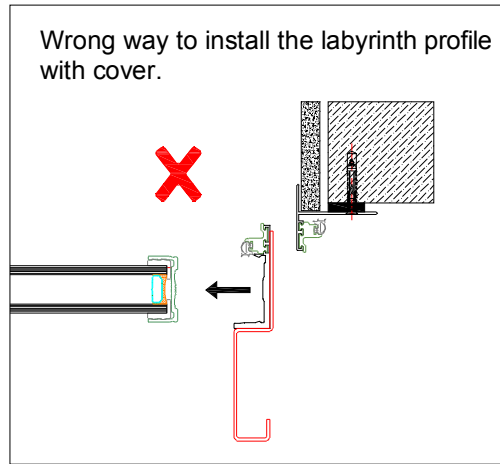
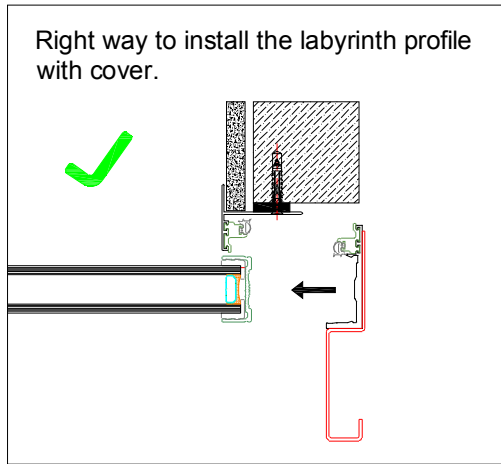
In sash A install the handle lock bar on the left side, as shown in step 12, and in the right side the labyrinth profile of choice, as shown in step 13.



In sash B install the labyrinth profile of choice, paying attention to slide the sash on the right side of wall cover 250-025 before installing the labyrinth profile.

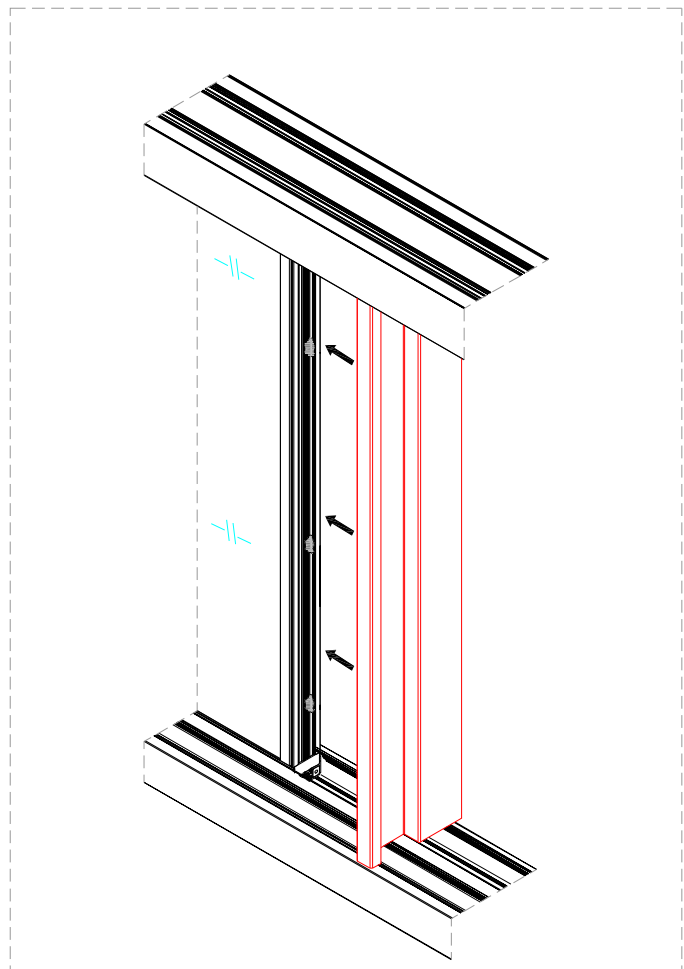
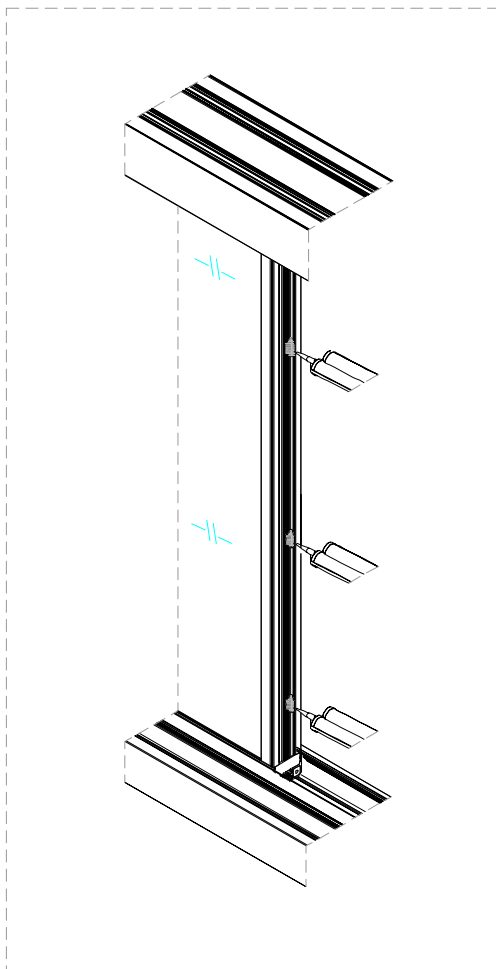


In sash B, use the appropriate labyrinth profile with the pocket cover attached



1

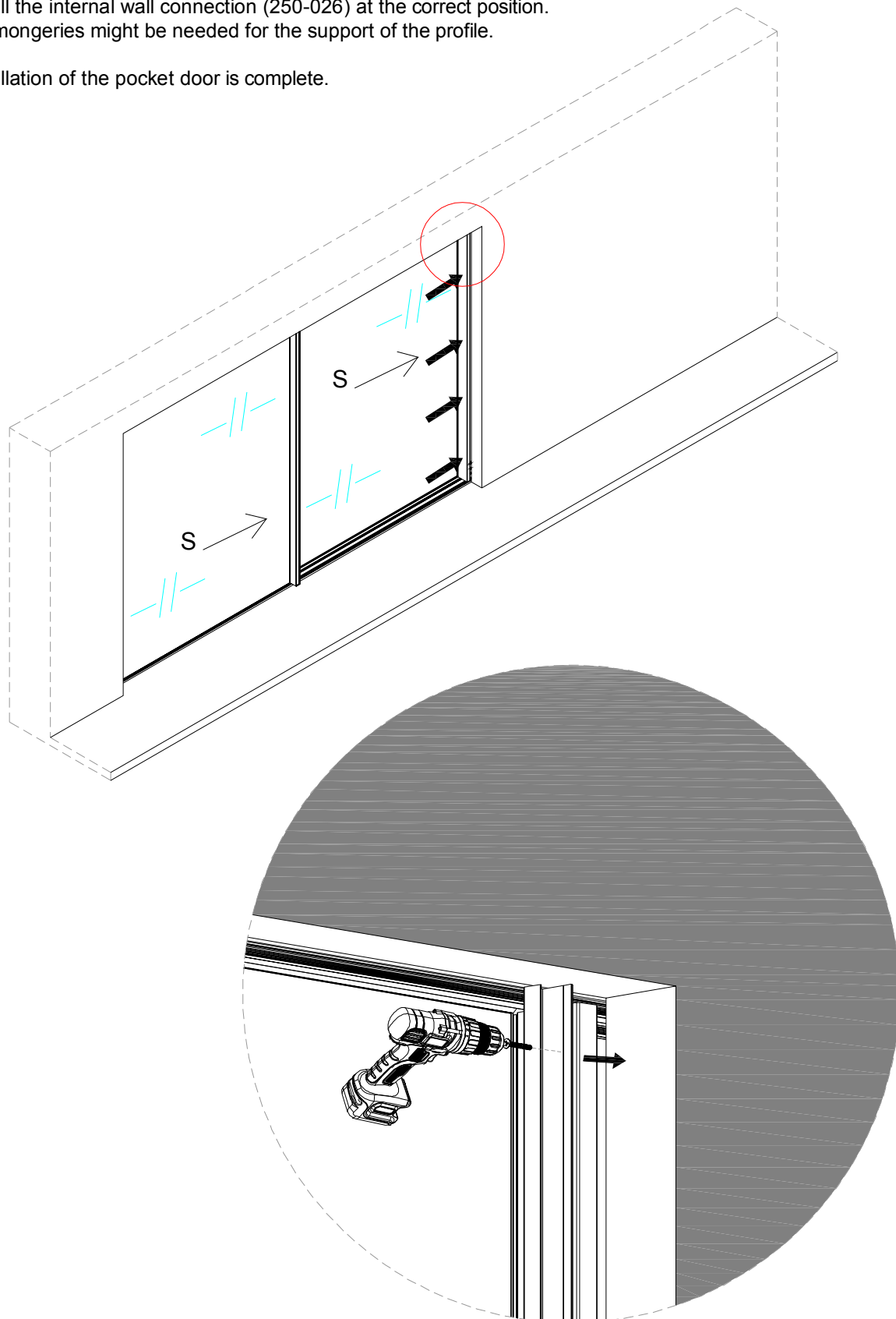
2



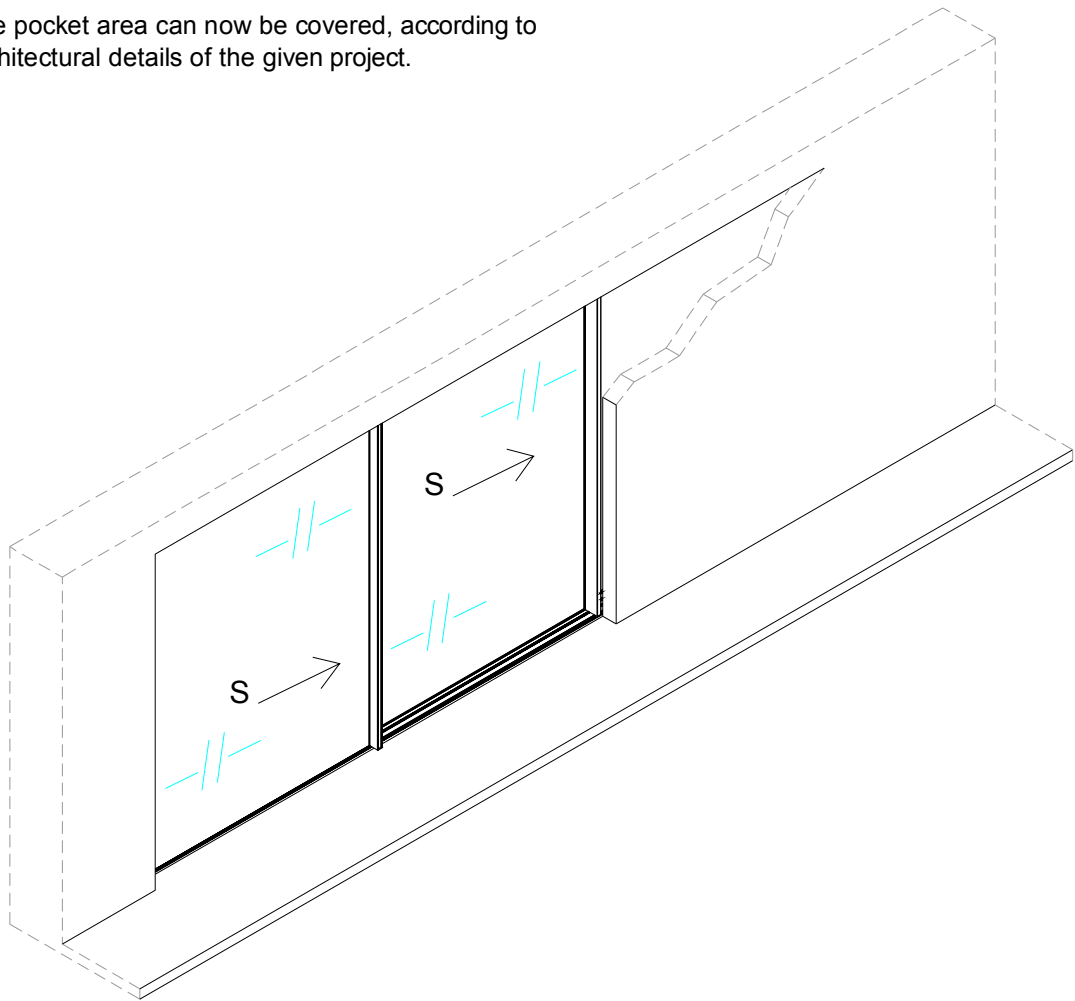
Installing internal wall connection

Install the internal wall connection (250-026) at the correct position. Ironmongeries might be needed for the support of the profile.

Installation of the pocket door is complete.



The pocket area can now be covered, according to architectural details of the given project.



NOTES:



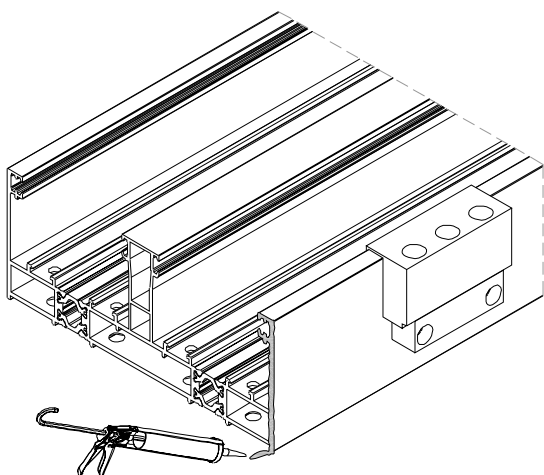
90° DEGREES

Alternative solution for frame connection

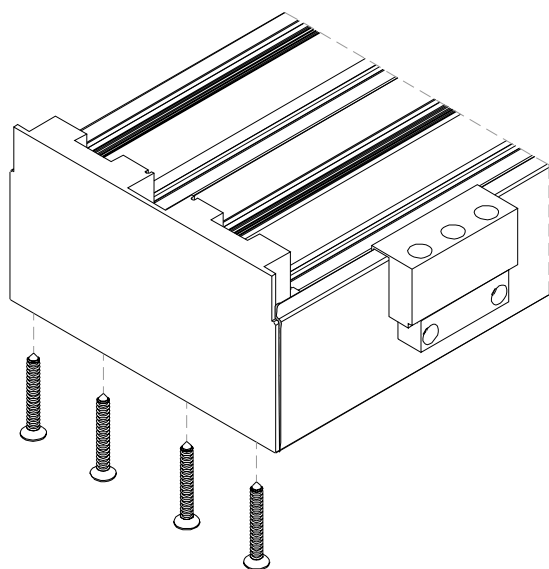
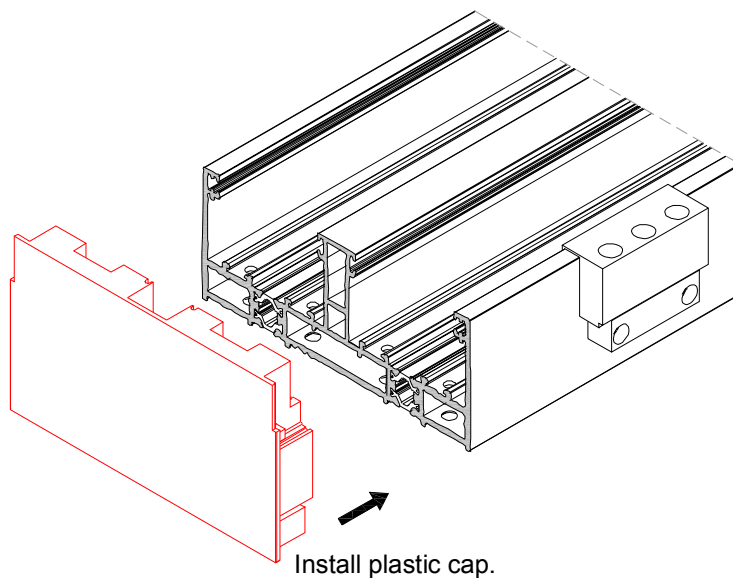
Alternative solution for frame connection (90 degrees).

The frame profiles come pre-cut, pre-milled.

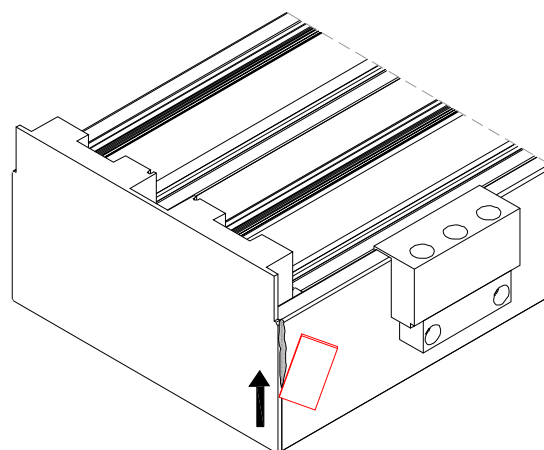
Install the plastic caps on the top and bottom frame profiles (250-02 Bottom Frame, 250-04 Top Frame).



Apply a sealing compound glue on the edge of the frame before connecting.

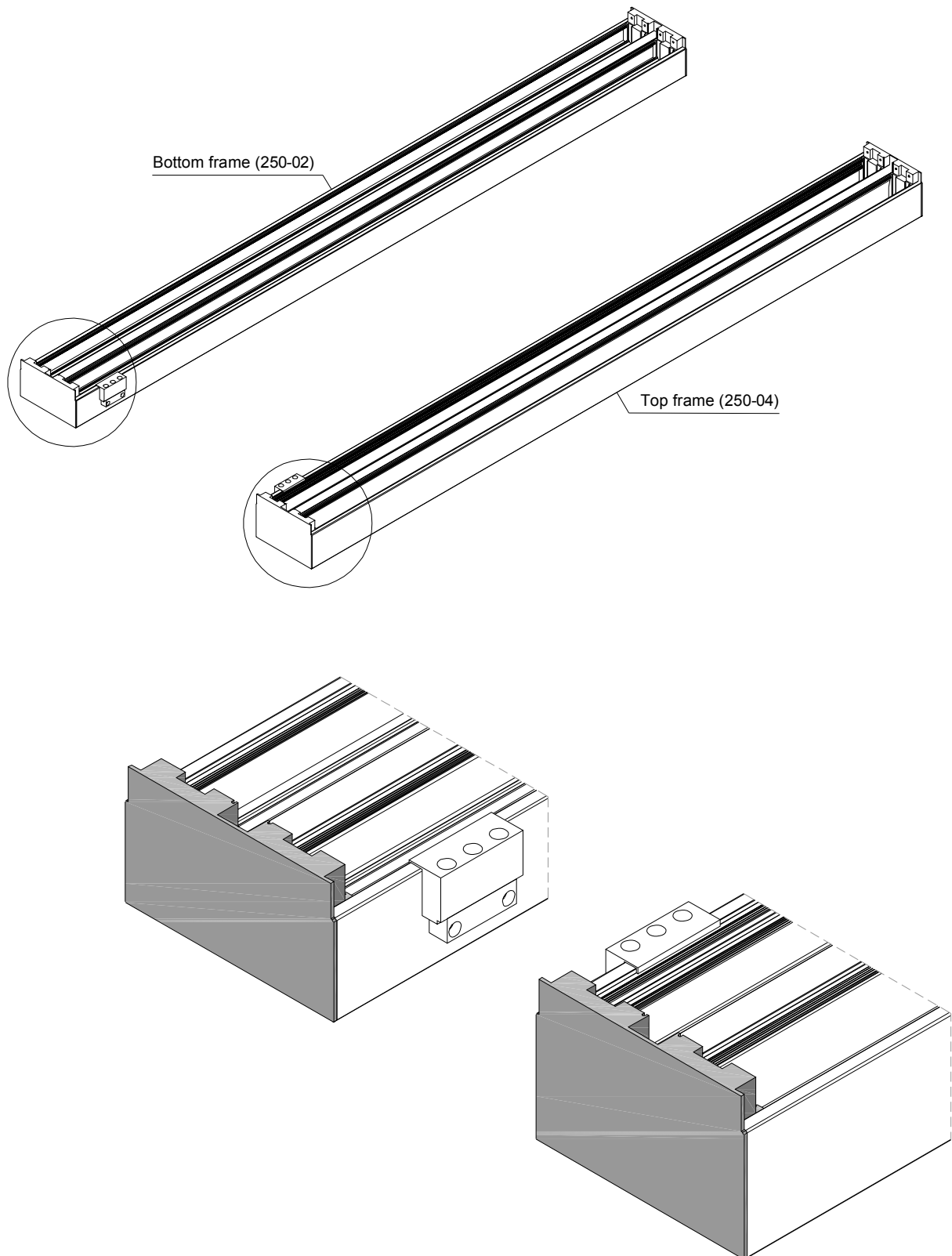


Connect the plastic cap with screws.

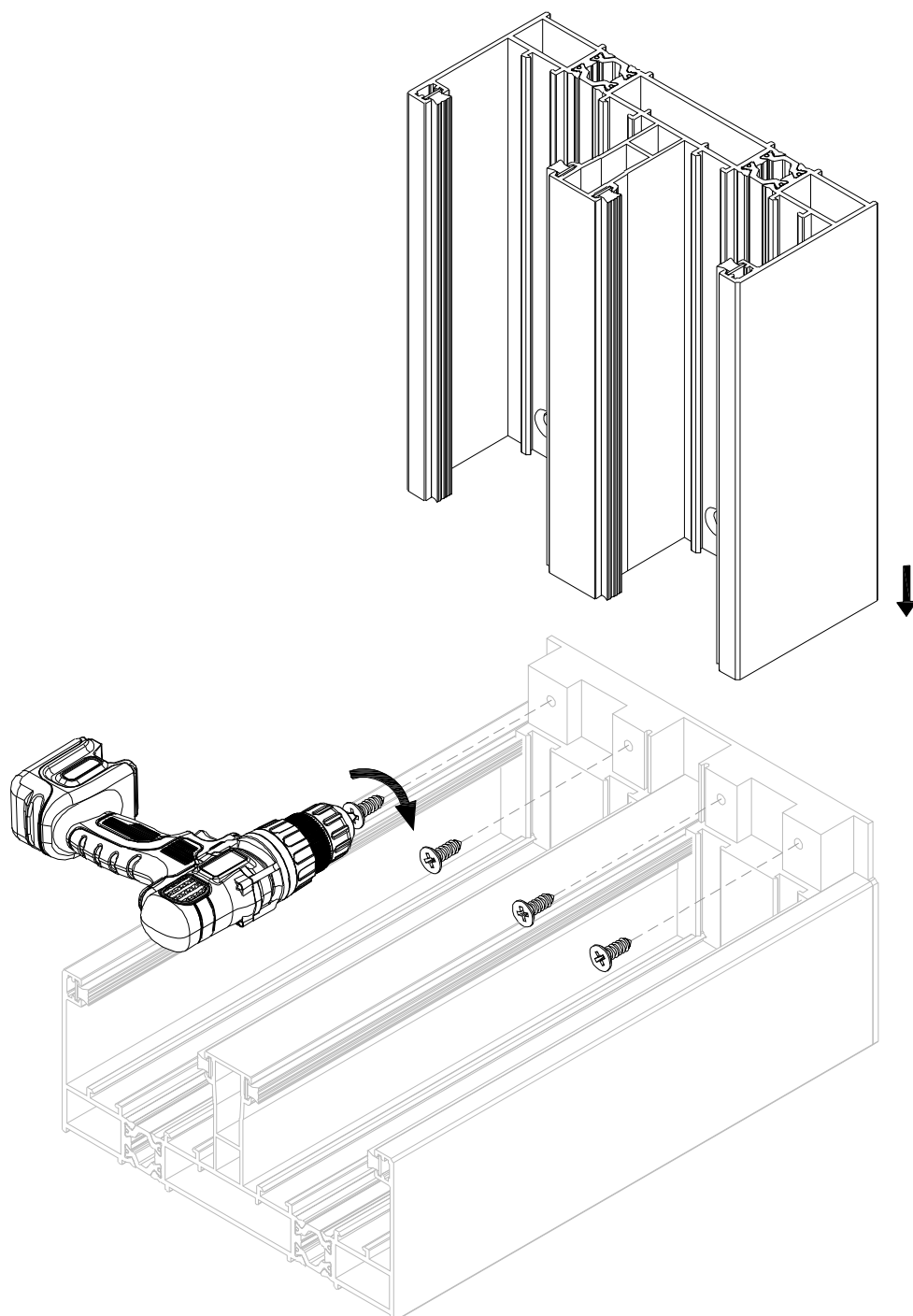


Clean up the silicone from the profile surface.

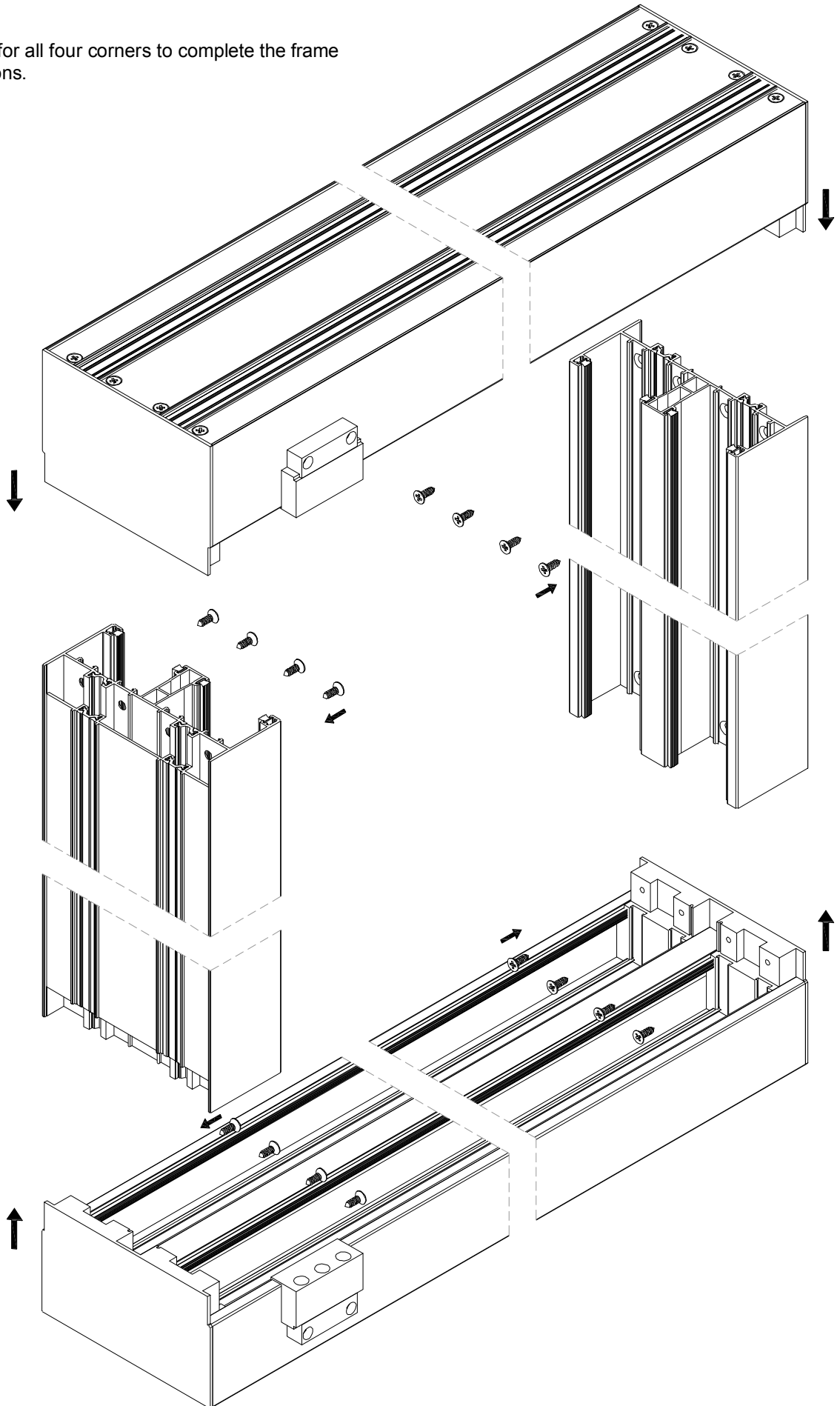
Install top and bottom frame profile.



Place the side frames onto the plastic caps and secure with screws.



Similarly for all four corners to complete the frame connections.



NOTES:

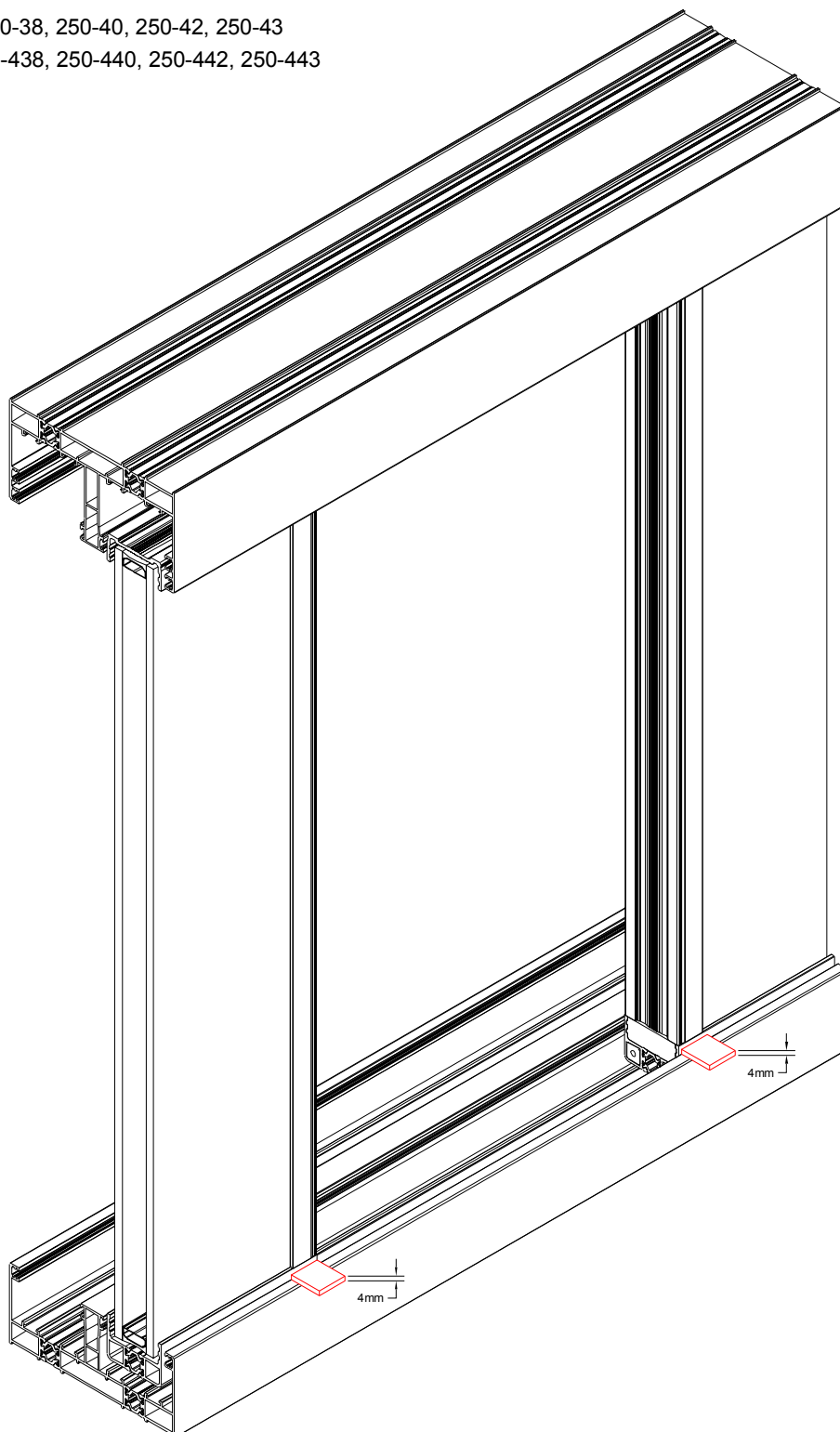


FACE TO FACE
LOCK

Face to face profiles installation.

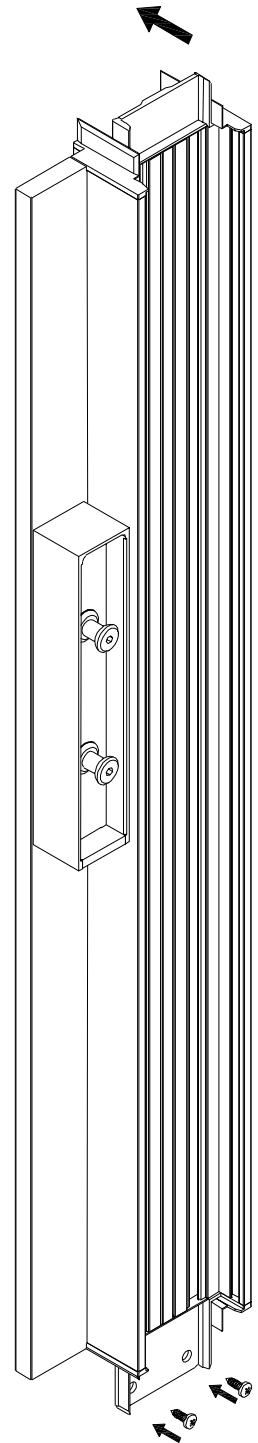
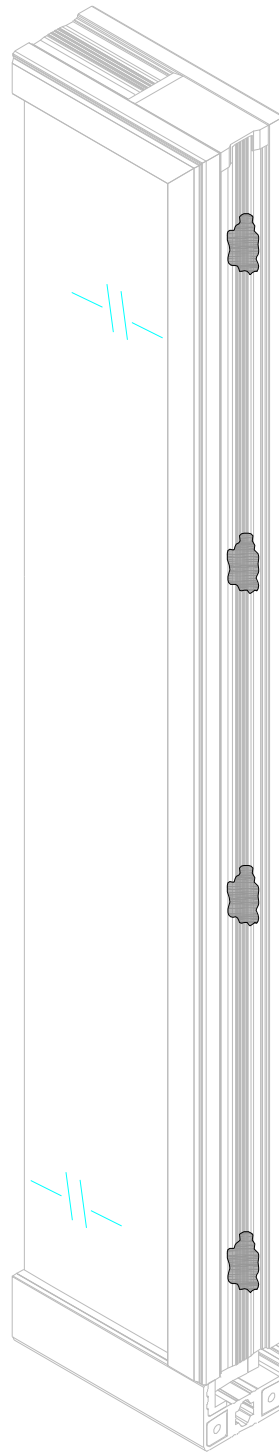
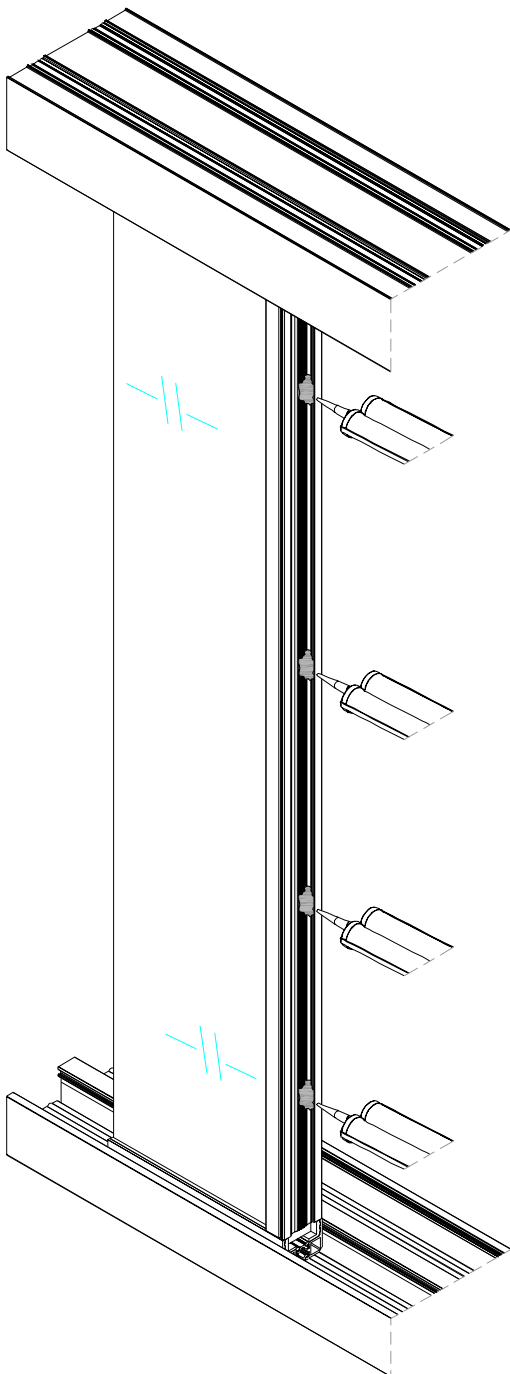
Omicron 250-38, 250-40, 250-42, 250-43

Omega 250-438, 250-440, 250-442, 250-443



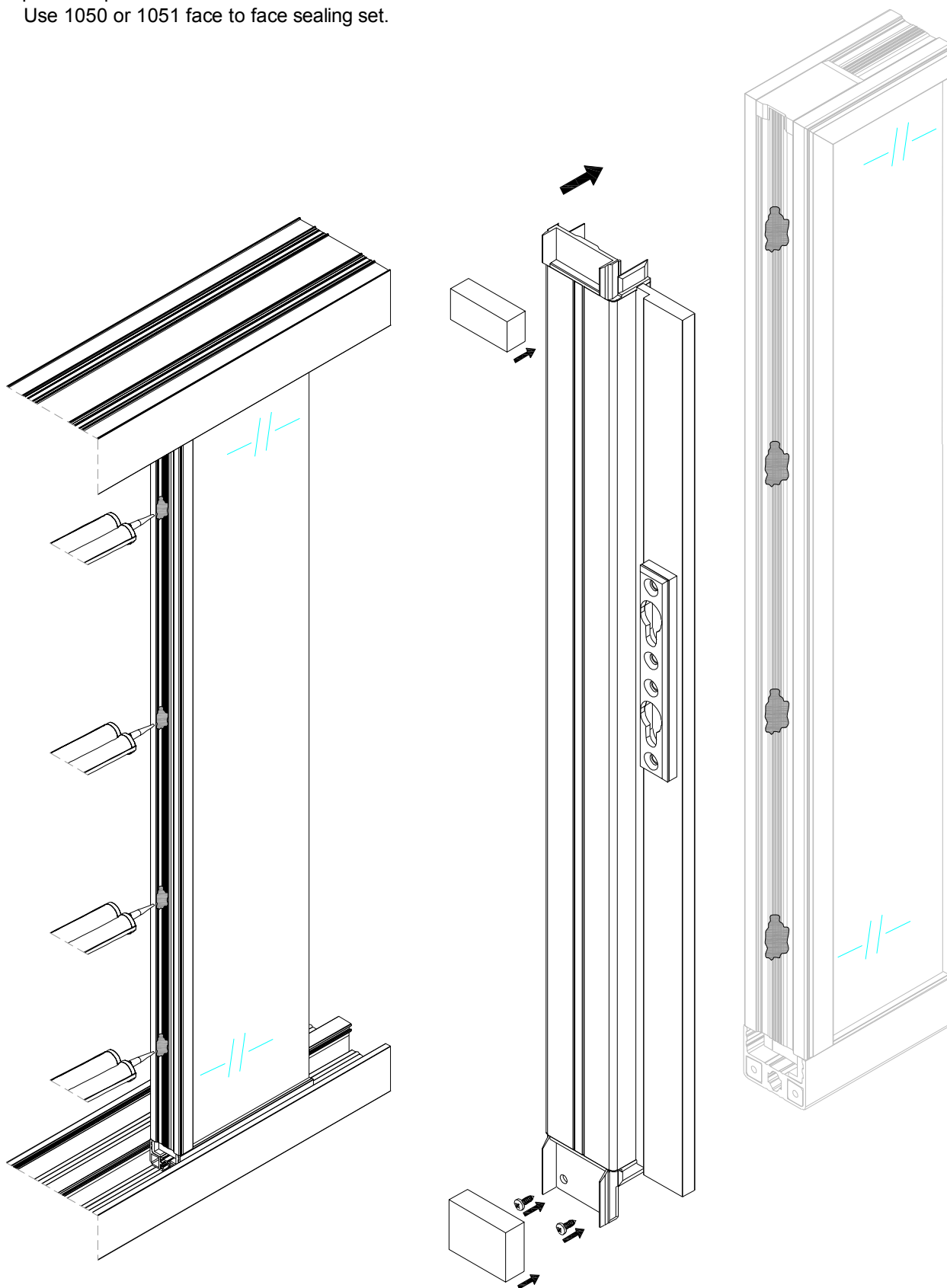
Use a plastic spacer of 4mm in order to glue the face to face profiles at the right position.

Apply 2 component glue onto sash A and install the face to face profile (Omicron 250-40 or 250-43, Omega 250-440 or 250-443). Secure the lower plastic cap with screws. Use 1050 or 1051 face to face sealing set.

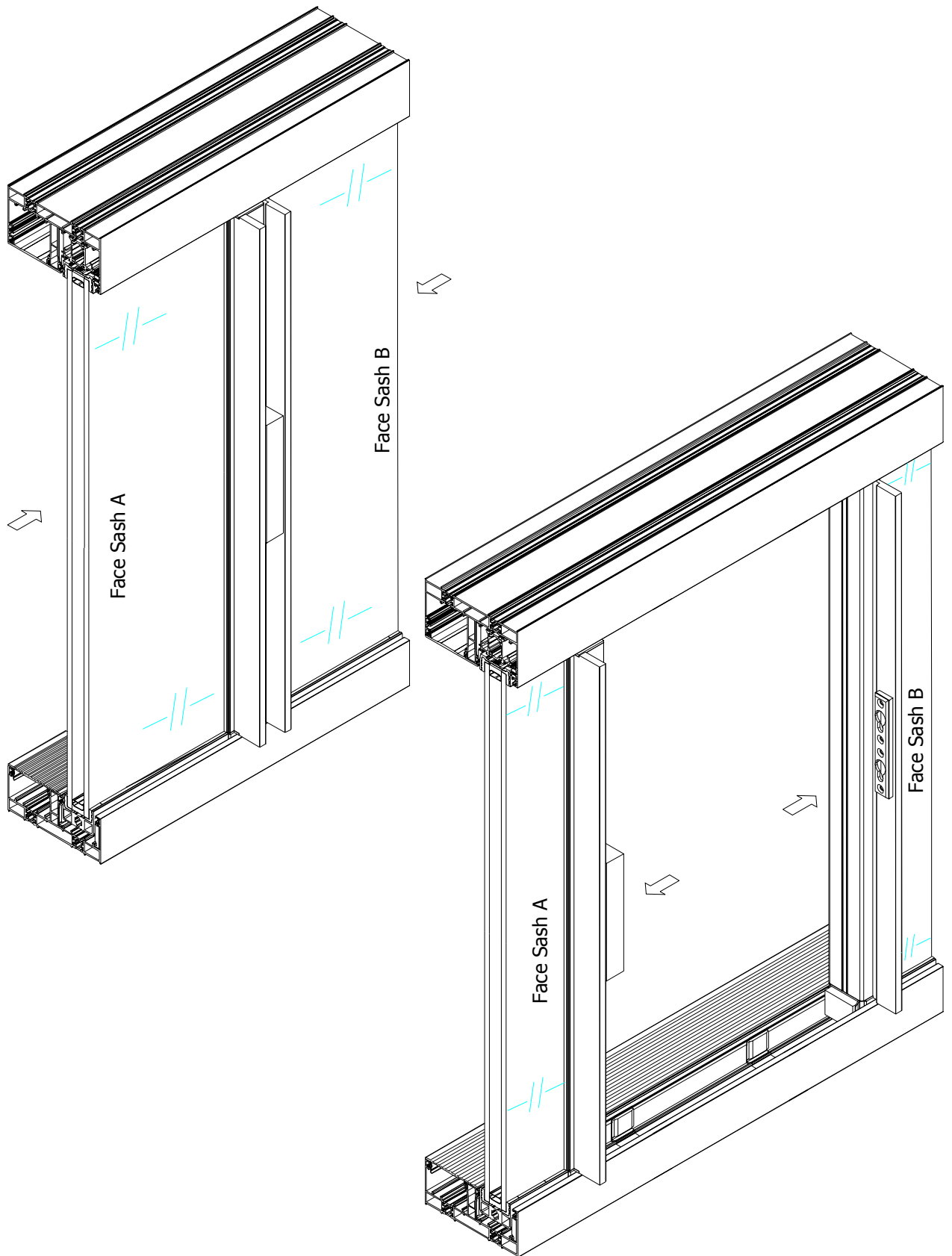


Similarly, apply 2 component glue onto sash B and install the face to face profile. Secure the lower plastic cap with screws and glue the foam components in place, onto the plastic caps.

Use 1050 or 1051 face to face sealing set.



View of assembled face to face profiles (closed and open position)



NOTES:

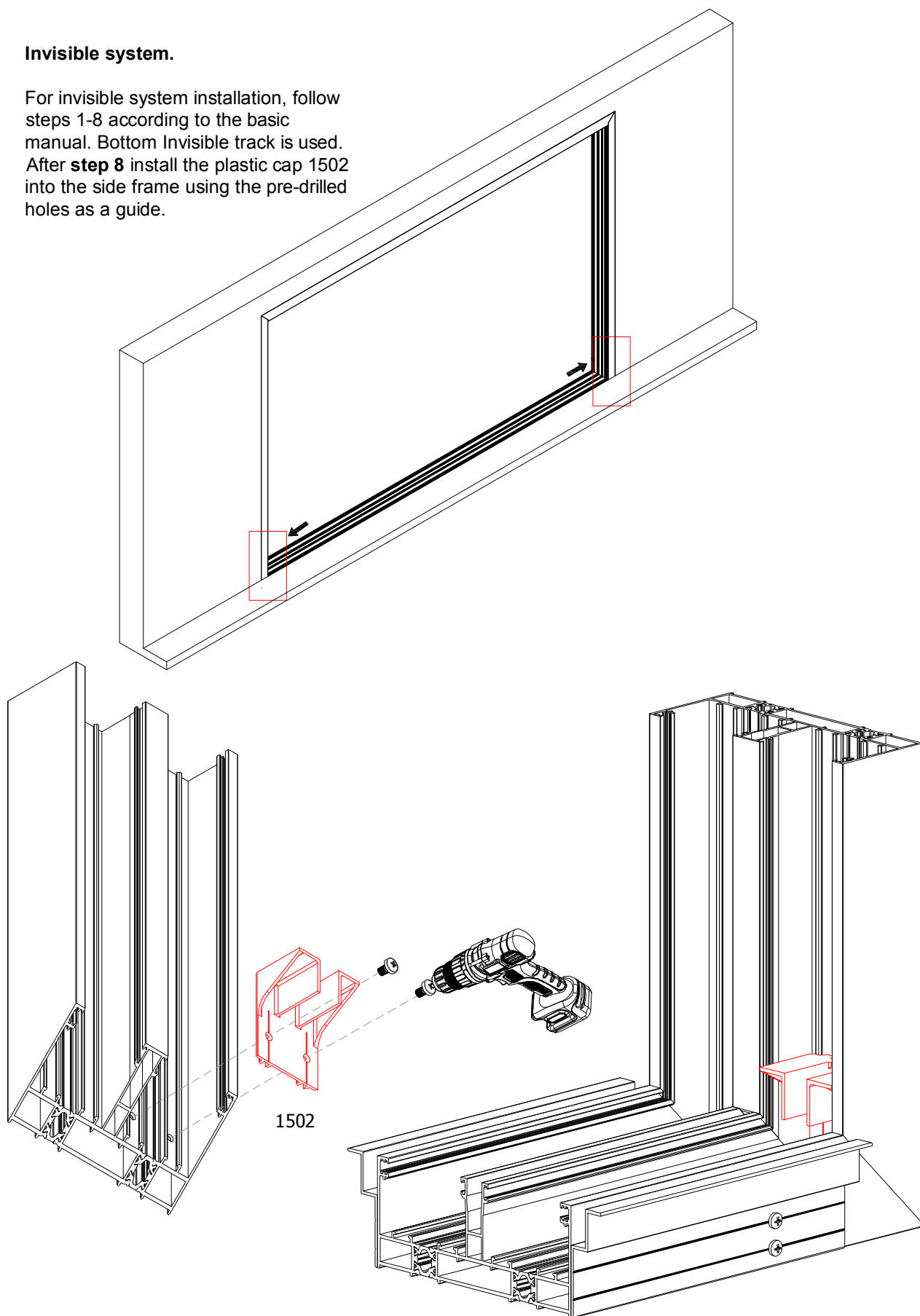


INVISIBLE SYSTEM

SS Omicron

Invisible system.

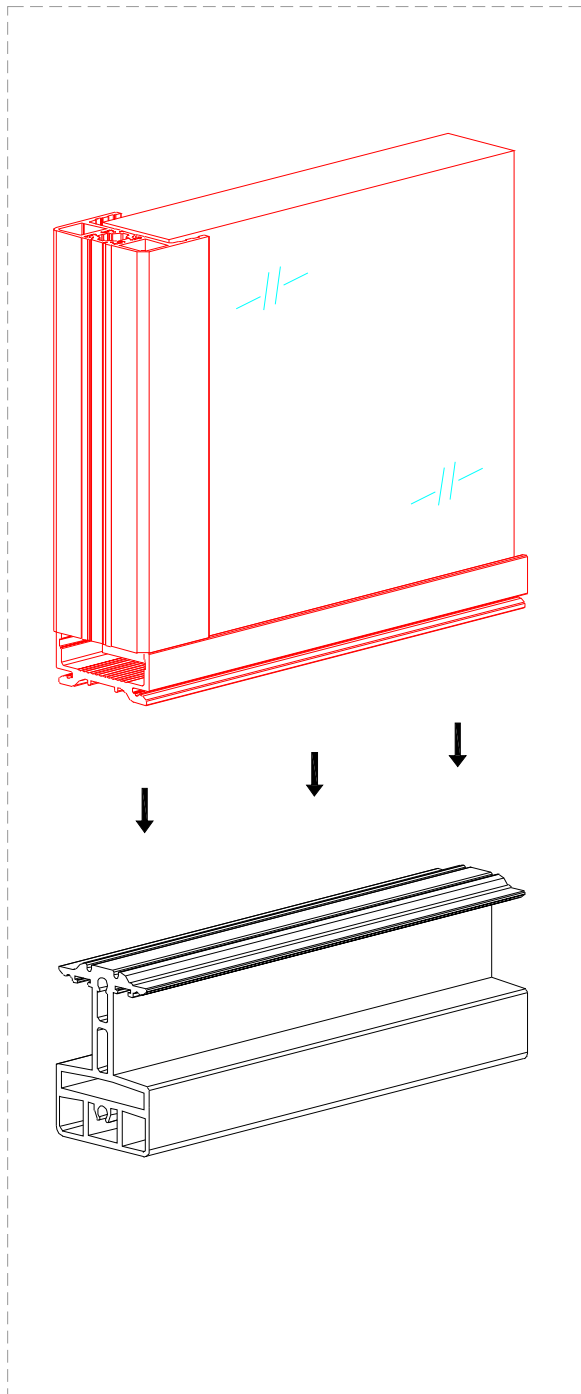
For invisible system installation, follow steps 1-8 according to the basic manual. Bottom Invisible track is used. After **step 8** install the plastic cap 1502 into the side frame using the pre-drilled holes as a guide.



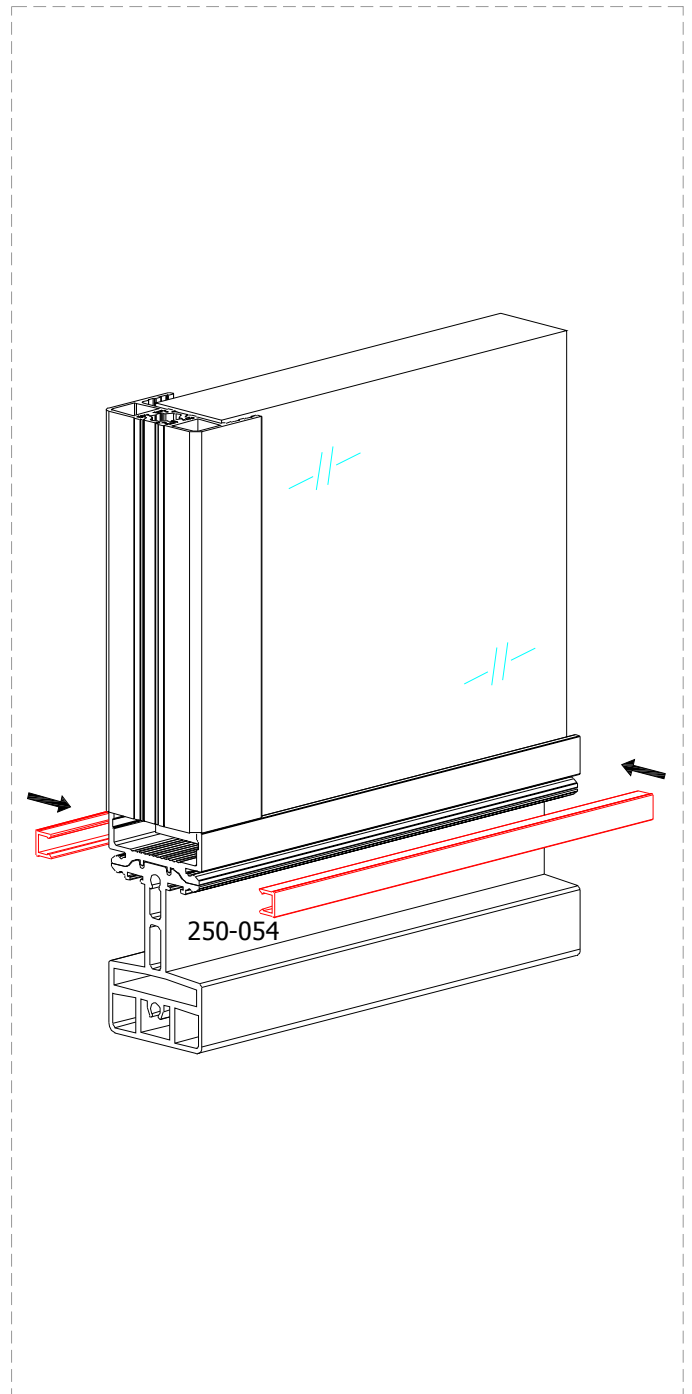
Installing the vents

Connect the glass panes with the 250-052 bottom invisible profiles and zip them using the 250-054 zipper profile

1

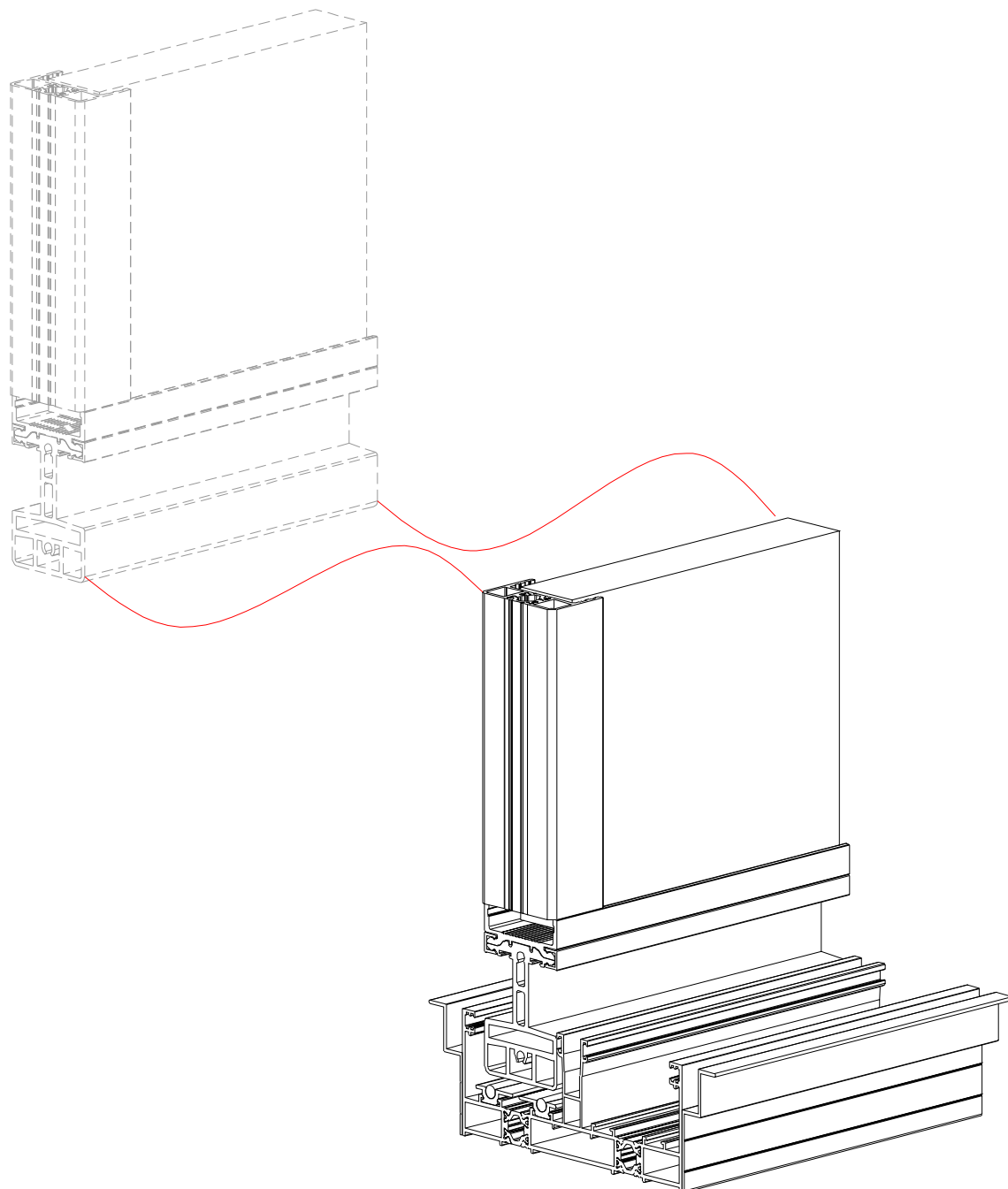


2

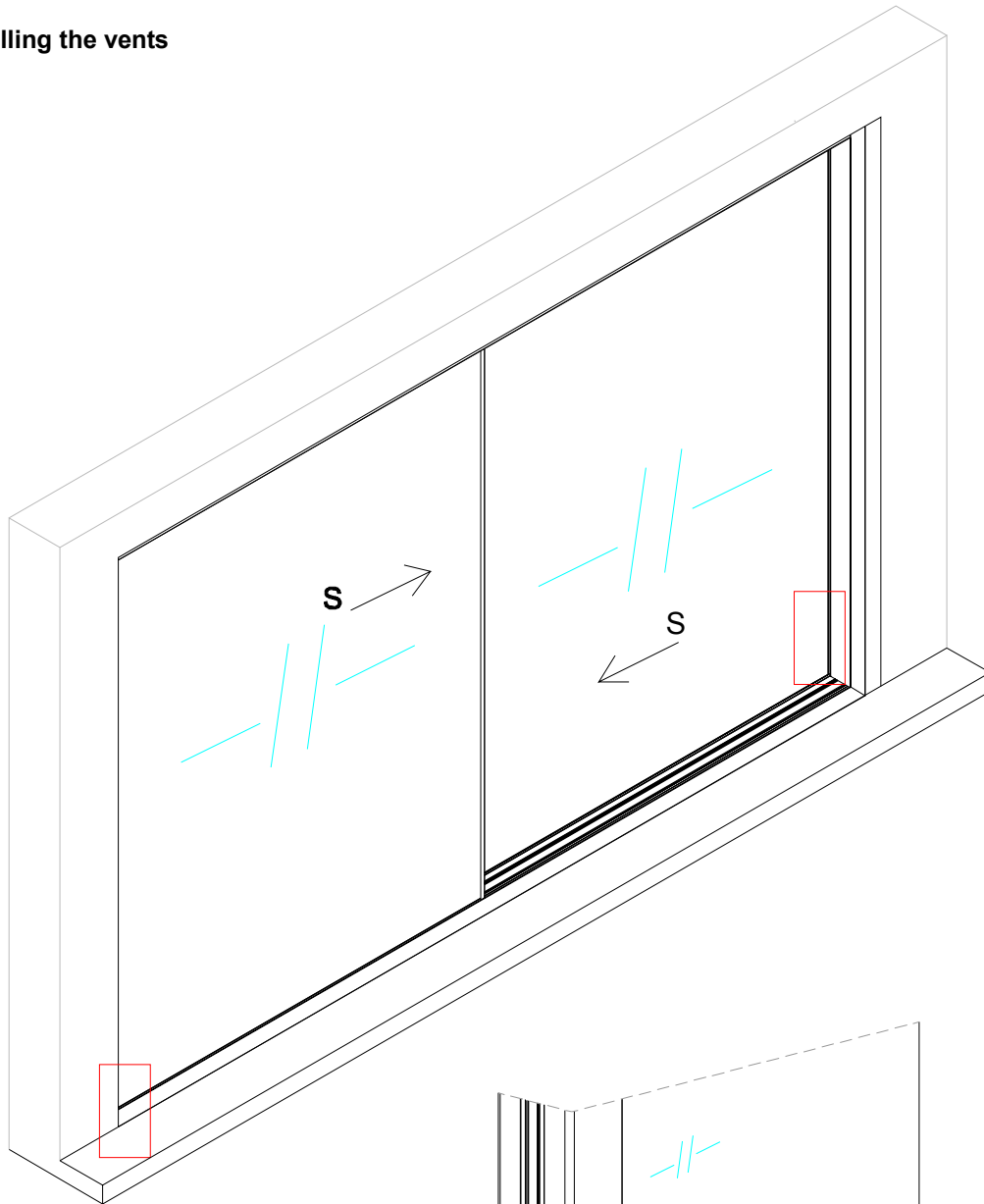


Installing the vents

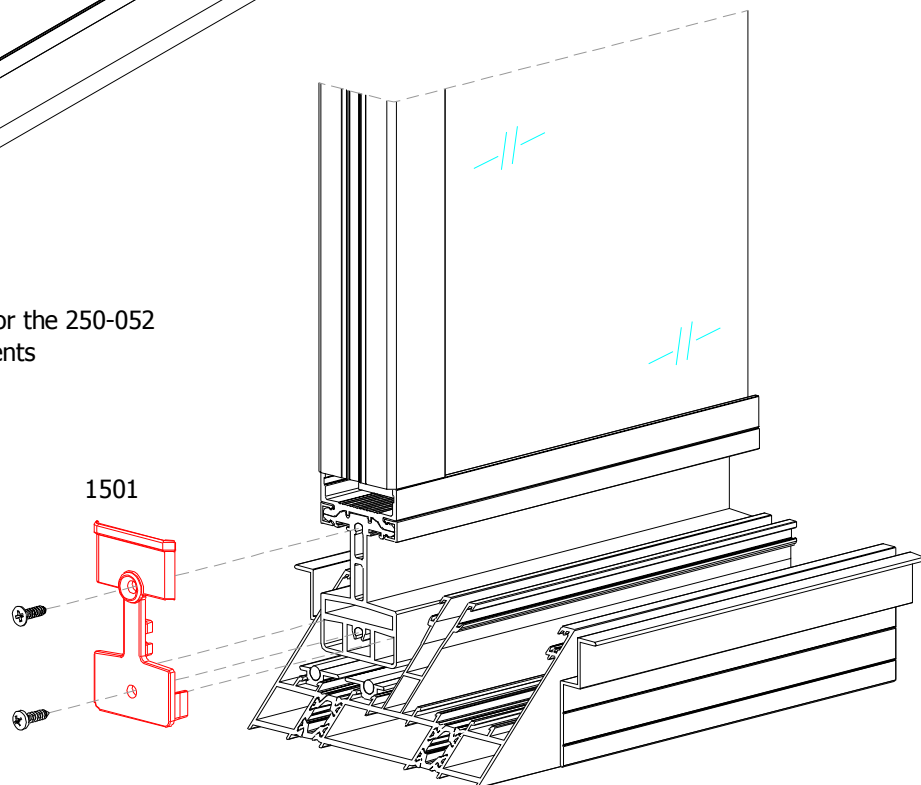
Install the vents into the tracks as usual



Installing the vents

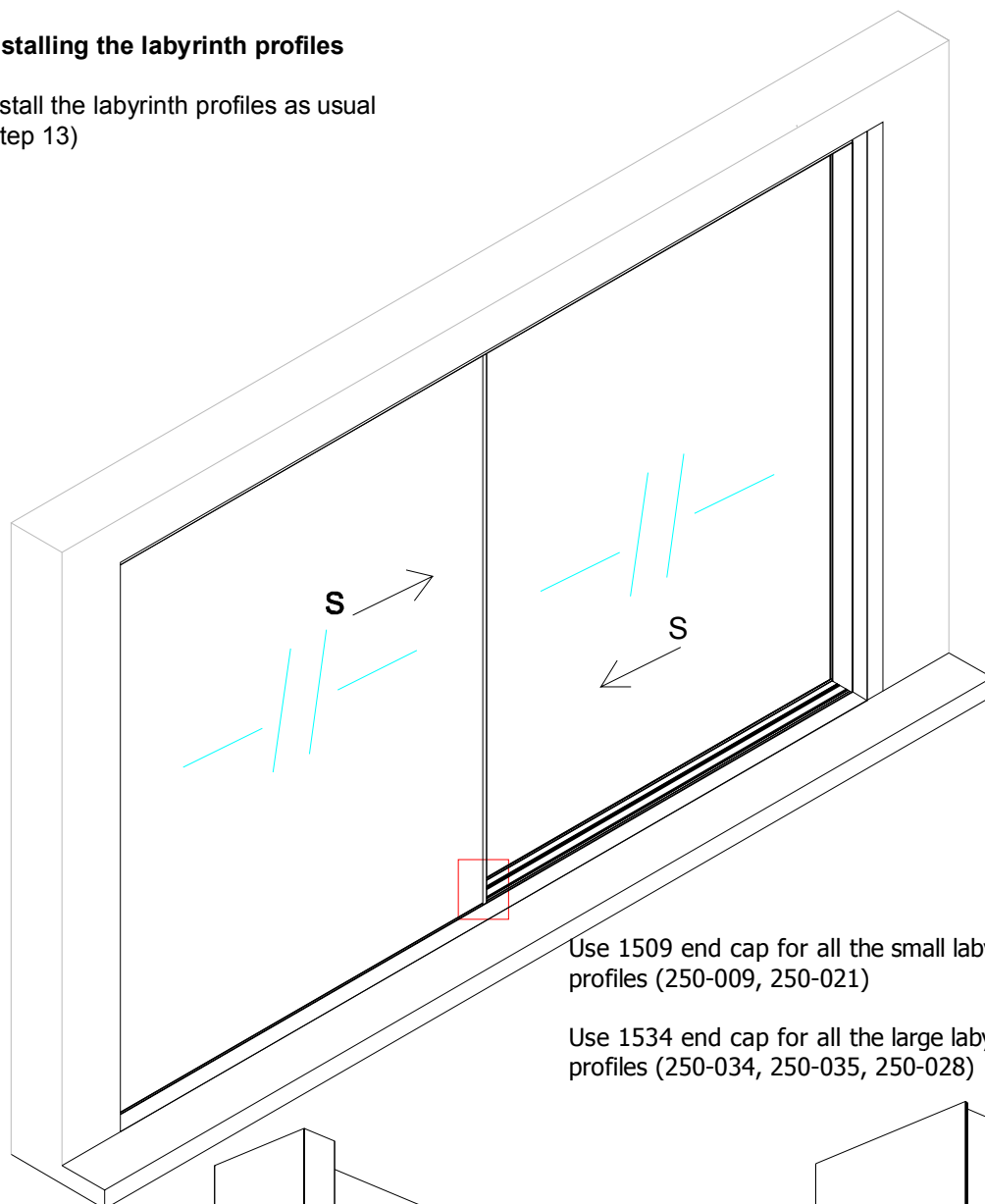


Use the 1501 end cap for the 250-052 bottom profile of side vents



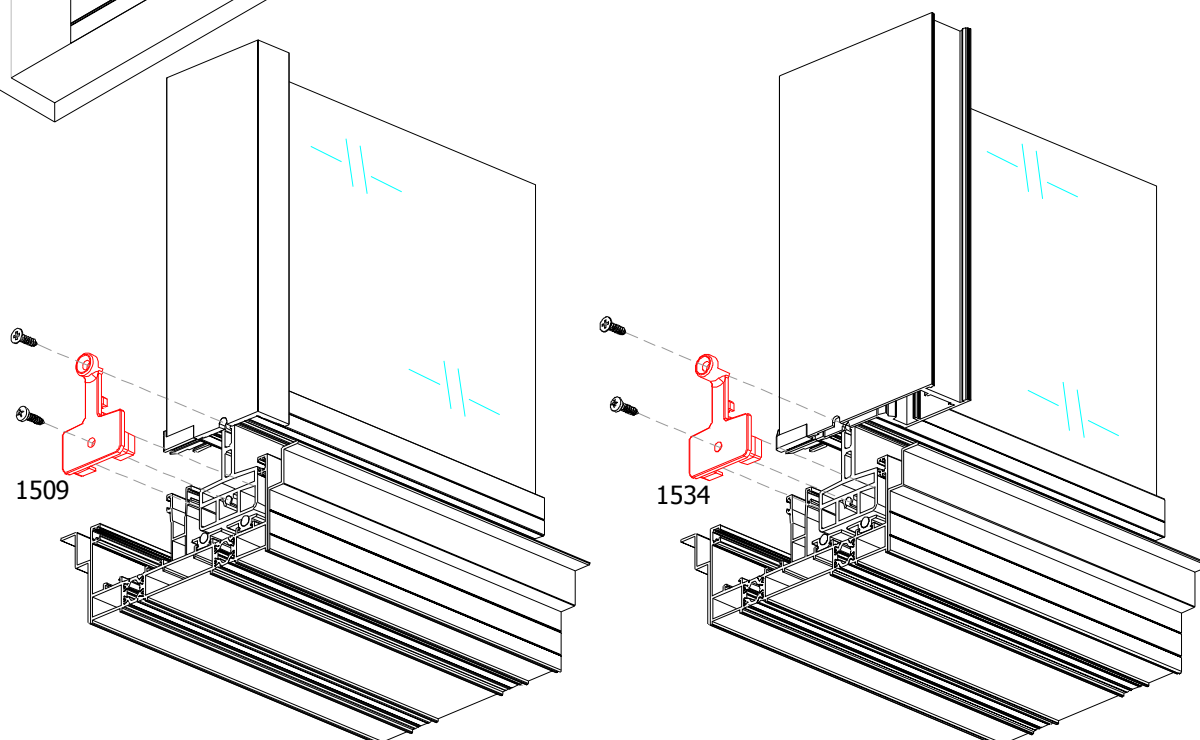
Installing the labyrinth profiles

Install the labyrinth profiles as usual
(step 13)



Use 1509 end cap for all the small labyrinth profiles (250-009, 250-021)

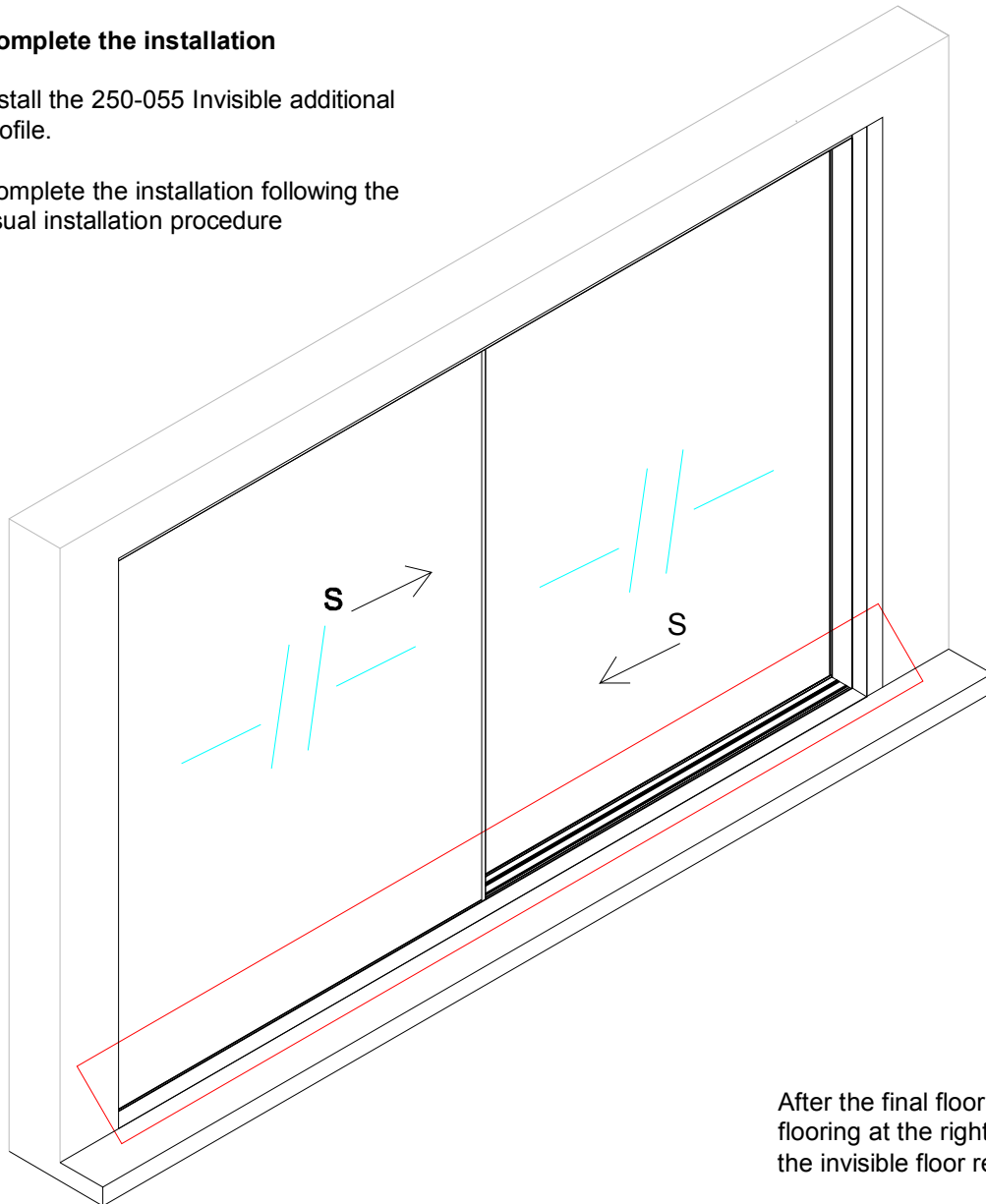
Use 1534 end cap for all the large labyrinth profiles (250-034, 250-035, 250-028)



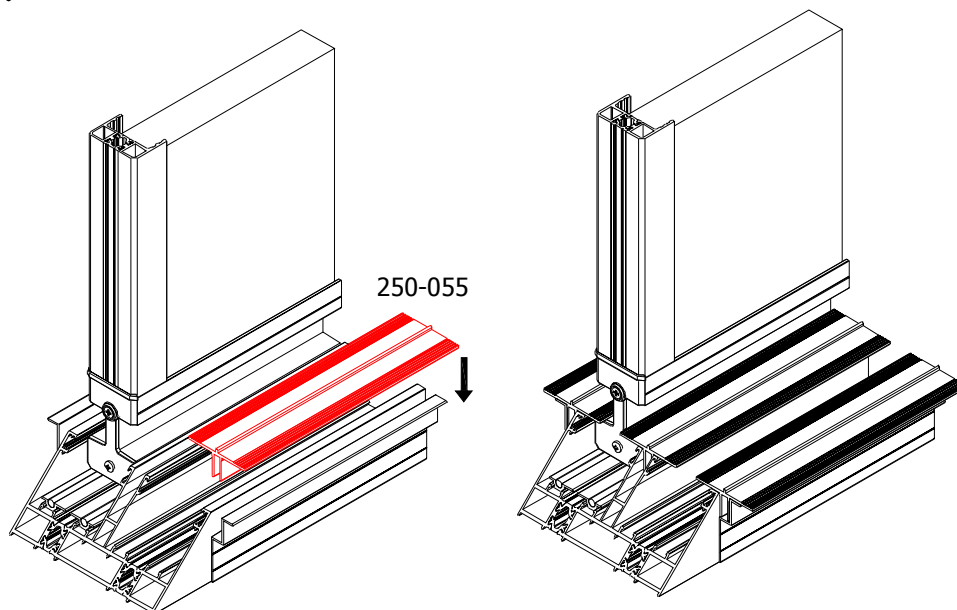
Complete the installation

Install the 250-055 Invisible additional profile.

Complete the installation following the usual installation procedure



After the final floor installation, drill the flooring at the right position and install the invisible floor rebate

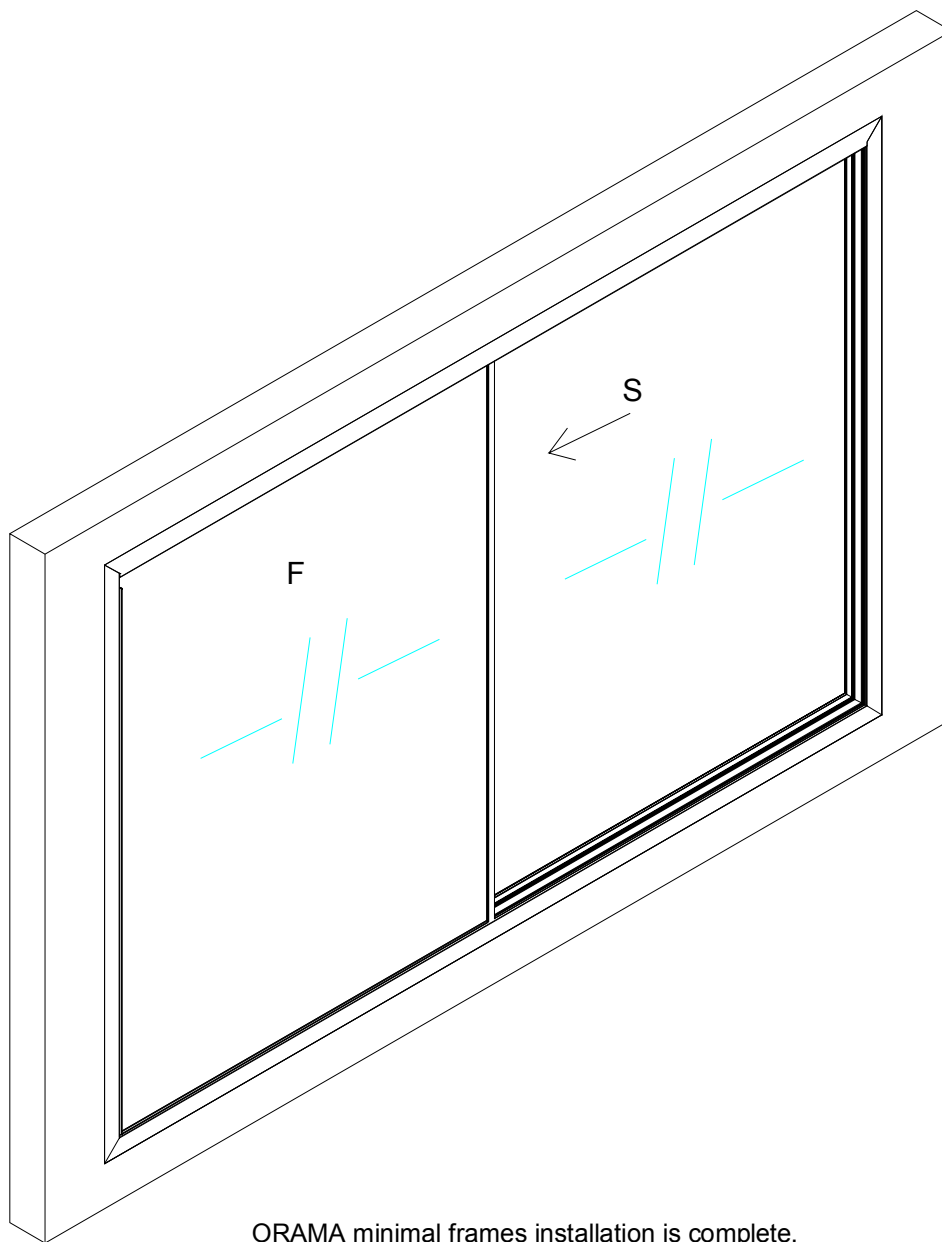


NOTES:



NET

The insect screen



ORAMA minimal frames installation is complete.

Now we are ready to install the Net.*

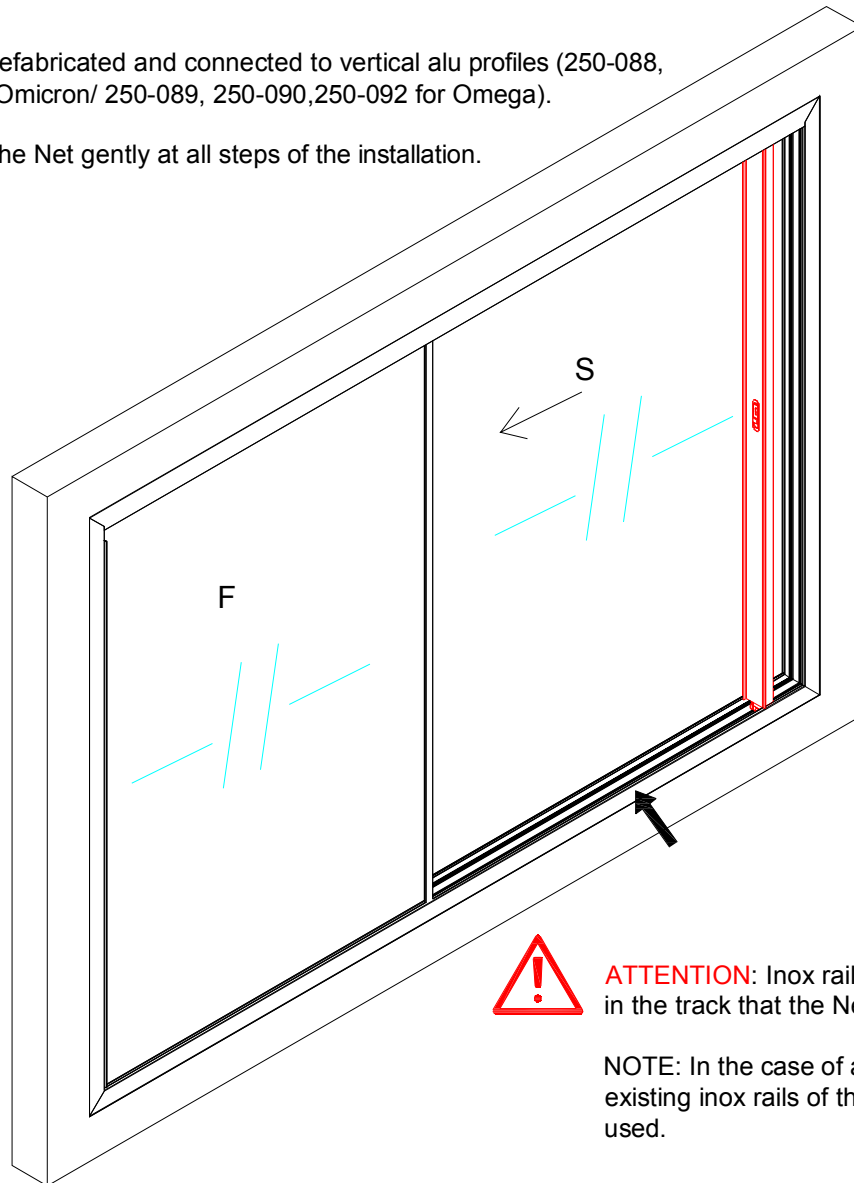
INFO:

Net can be installed only at a side sliding vent.
Inside or outside track can be used.

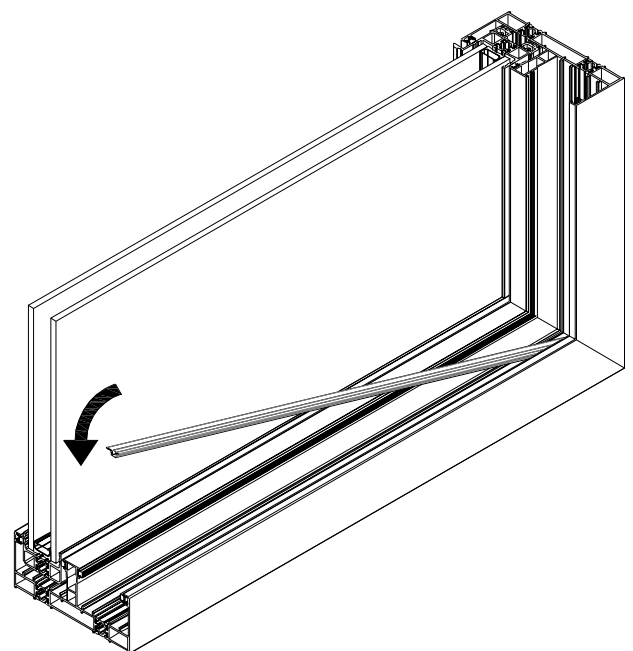
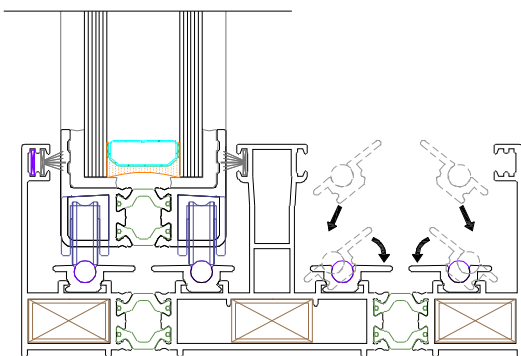
* In the case of an SS window it is recommended that the Net is installed after the installation of the frame BUT before the installation of the sliding vents.

Step 1. Net comes prefabricated and connected to vertical alu profiles (250-088, 250-090,250-091 for Omicron/ 250-089, 250-090,250-092 for Omega).

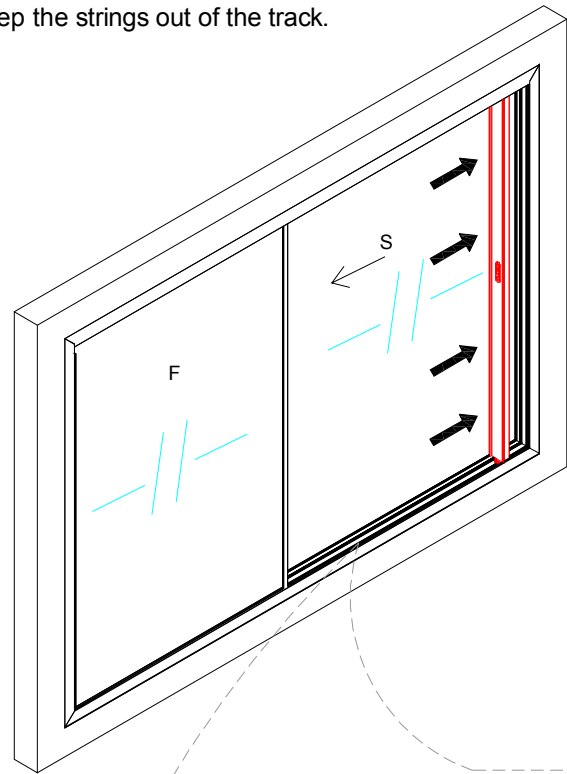
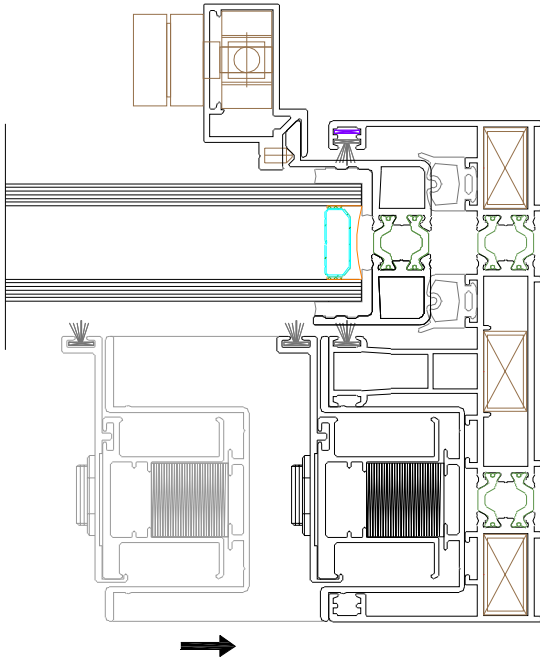
Take care to handle the Net gently at all steps of the installation.



If the inox rails are not installed, place them in to the track before loading the Net.



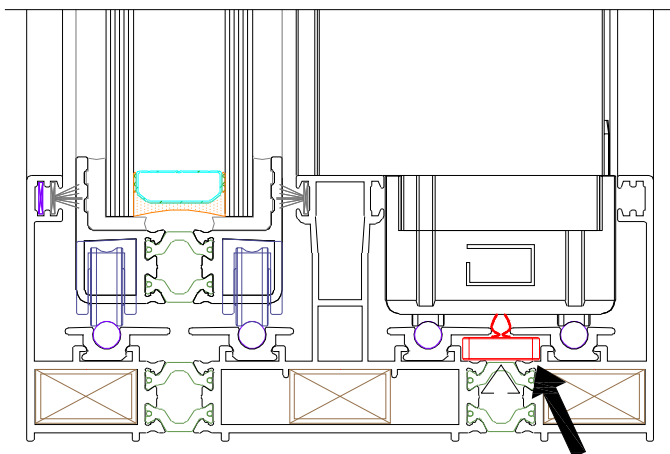
Step 2. Insert the Net in the vertical track taking care to keep the strings out of the track.



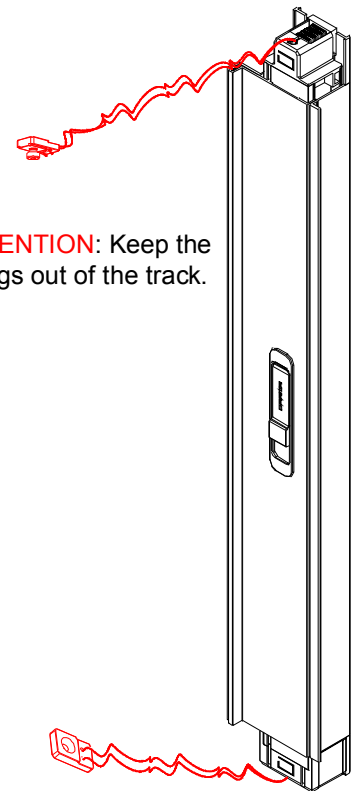
ATTENTION: Insert bottom regulator (3007 for Omicron / A3007 for Omega) underneath the inox rails at the center of the track.



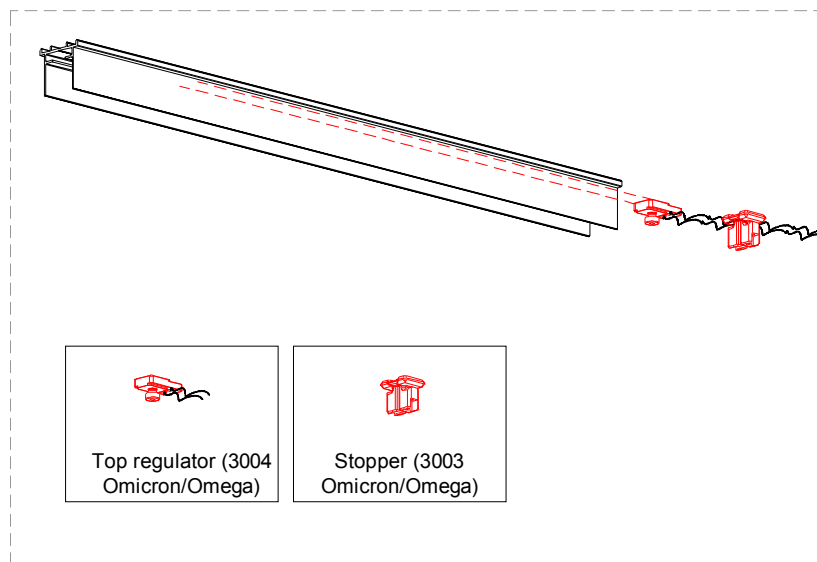
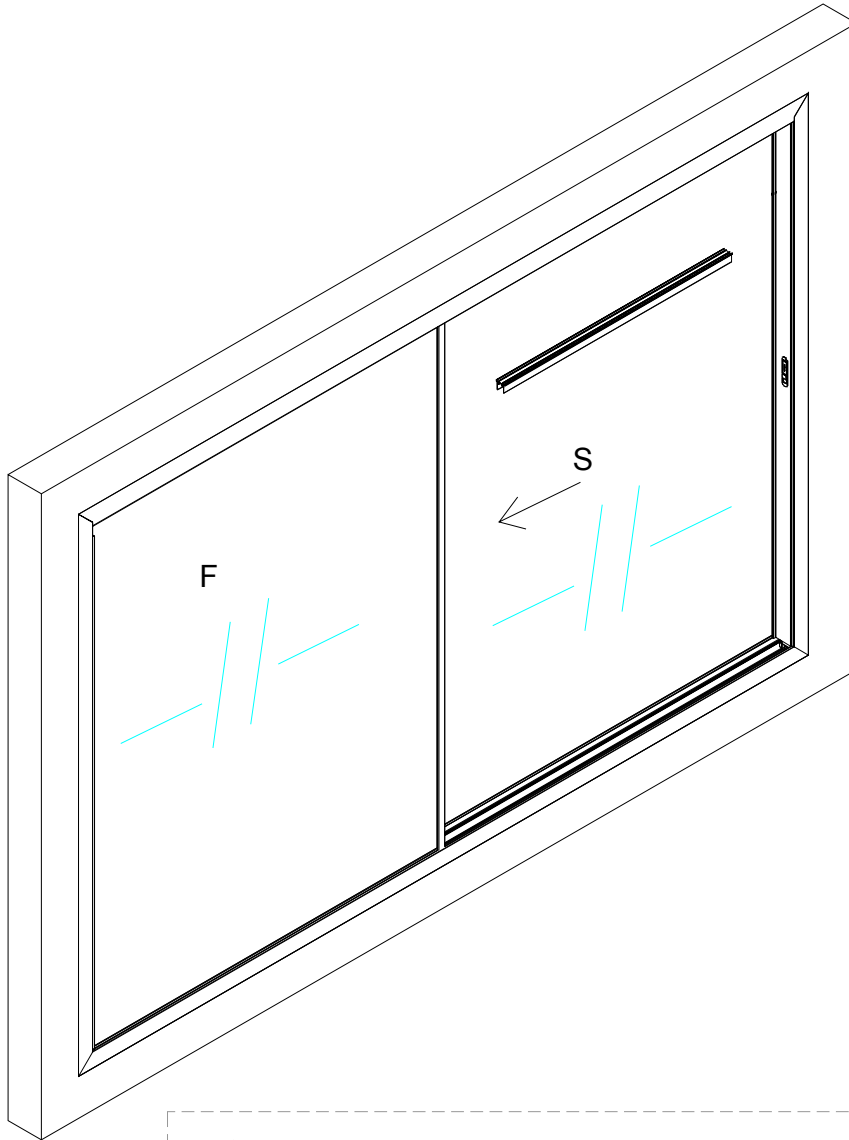
ATTENTION: Keep the strings out of the track.



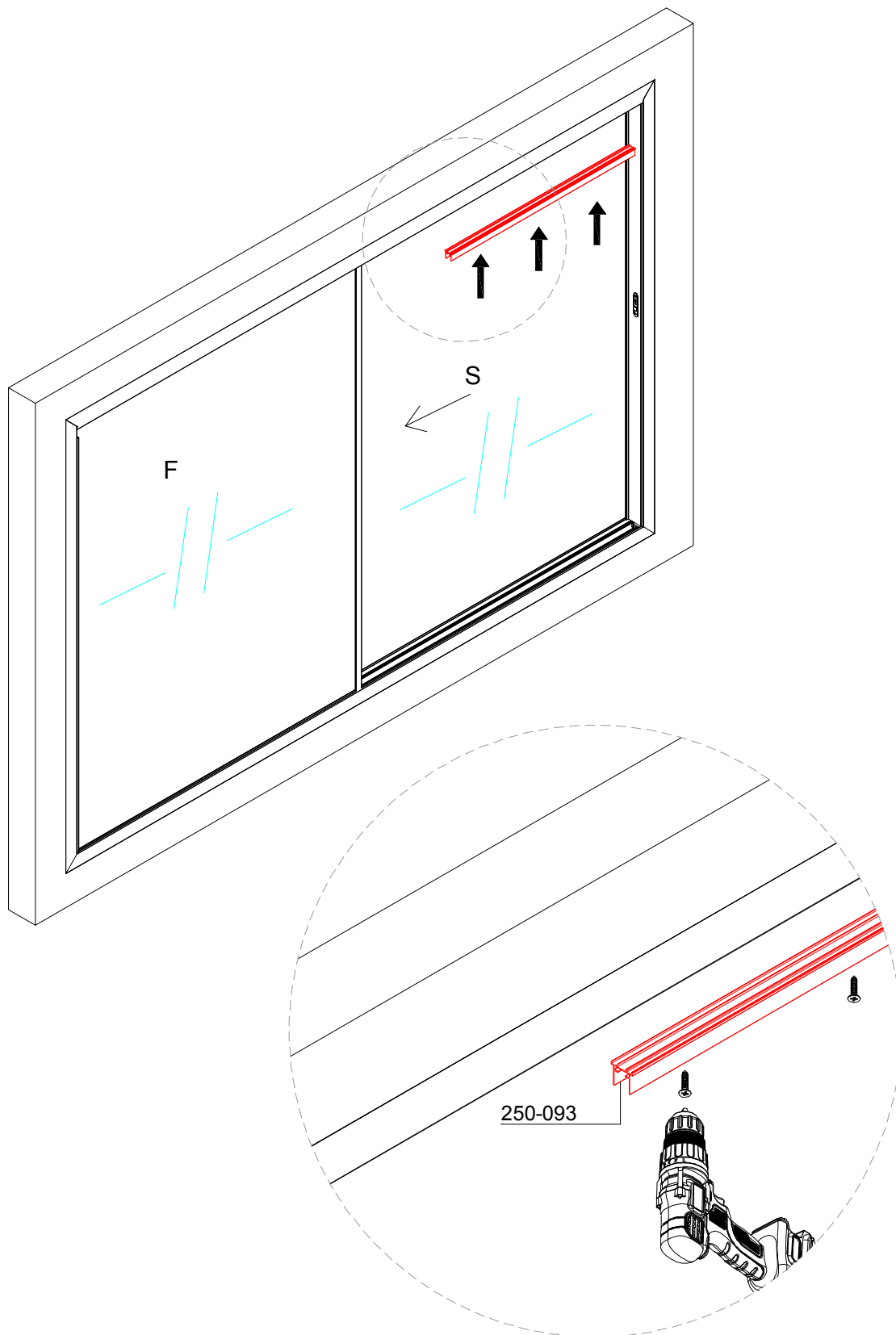
Bottom regulator
(3007 for Omicron /
A3007 for Omega)



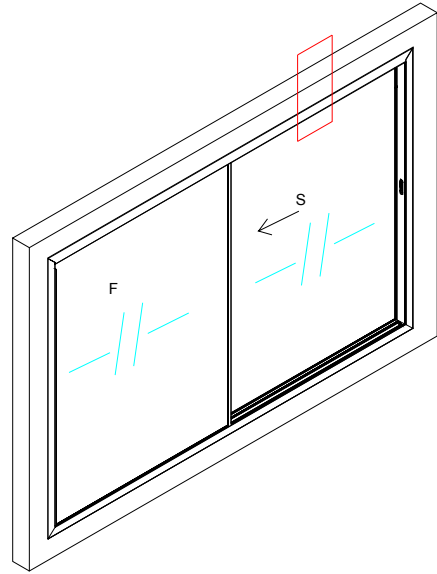
Step 3. Slide stopper (3003) in the top Net track (250-093 Omicron/Omega).
Slide top regulator (3004) in the top Net track (250-093 Omicron/Omega).



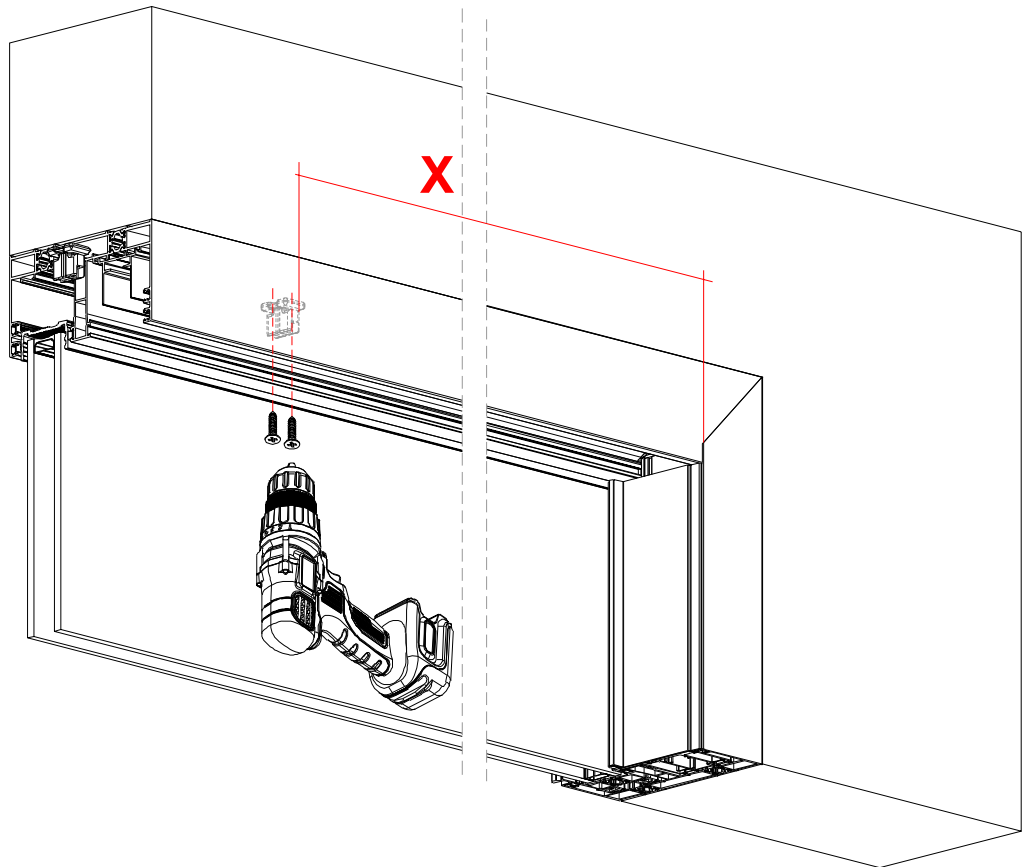
Step 4. Insert the top Net track (with the regulator and strings) in the top track of the window and screw it in place.



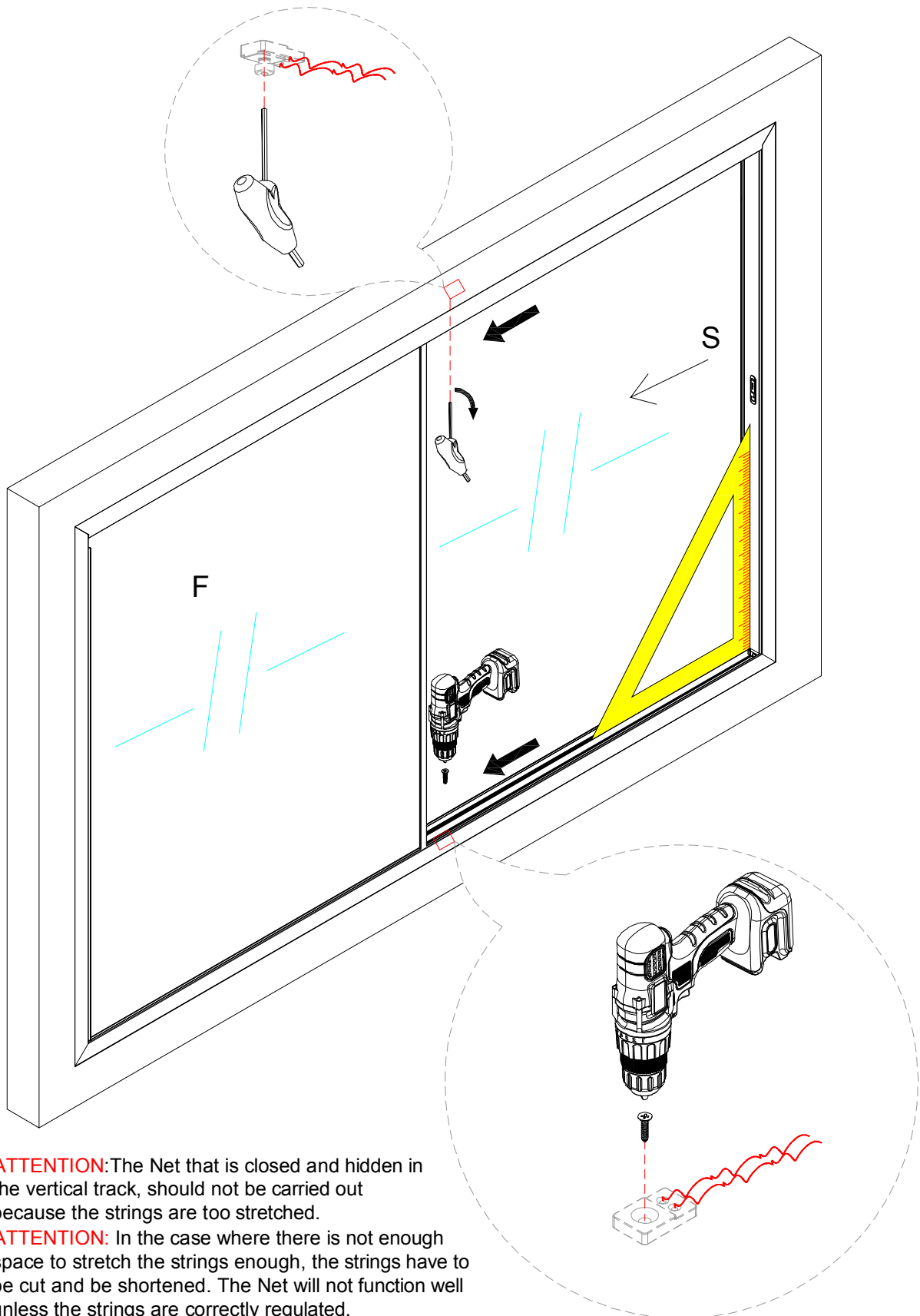
Step 5. Screw the stopper (3003) at a distance $X = \text{Net width}$.



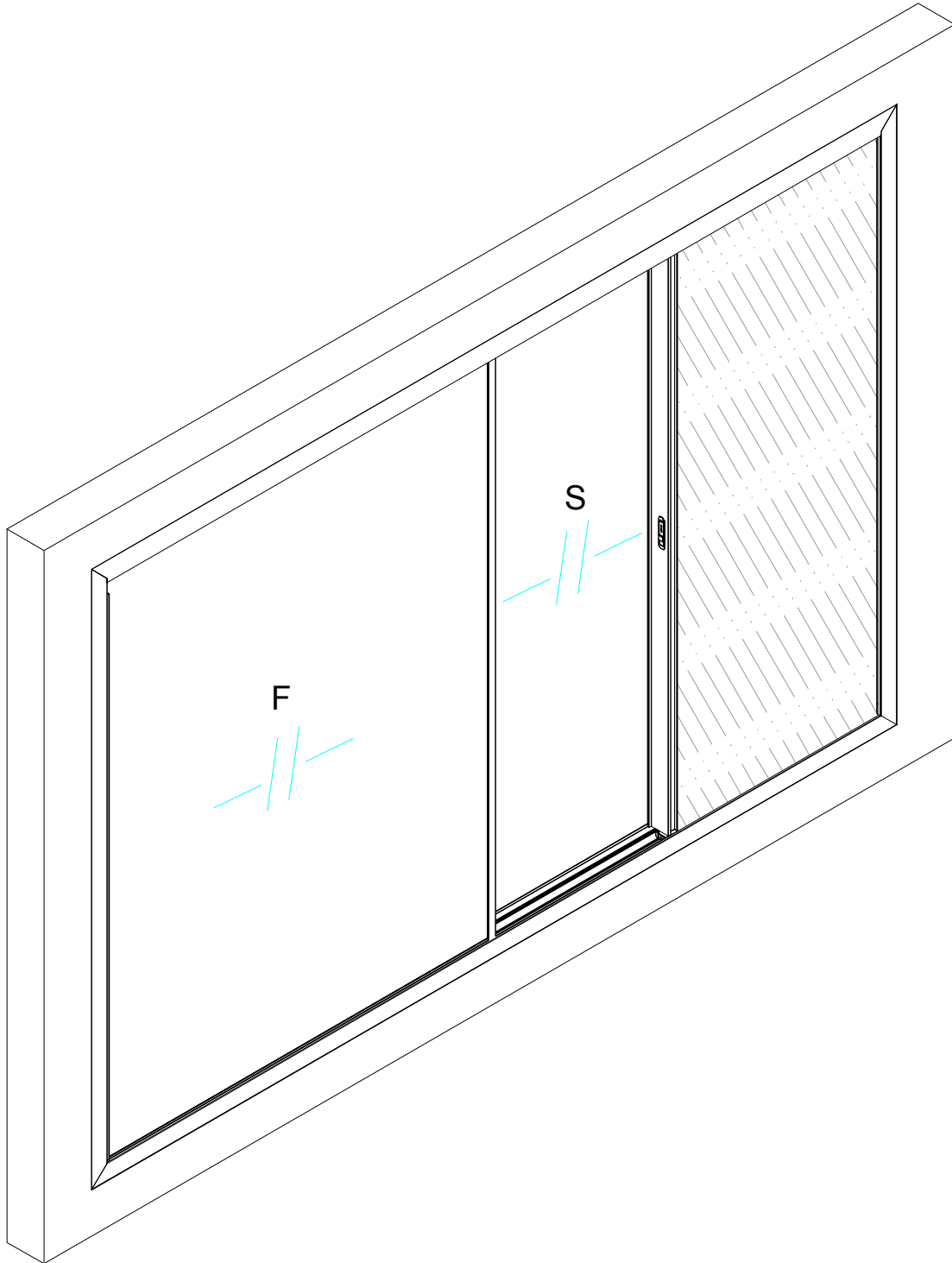
X = Net width (usually 1meter)



Step 6. Stretch the strings as much as needed and secure them in position by screwing the top and bottom regulators.



The installation is finished.



Contact Information

info@oramainimalframes.com

